



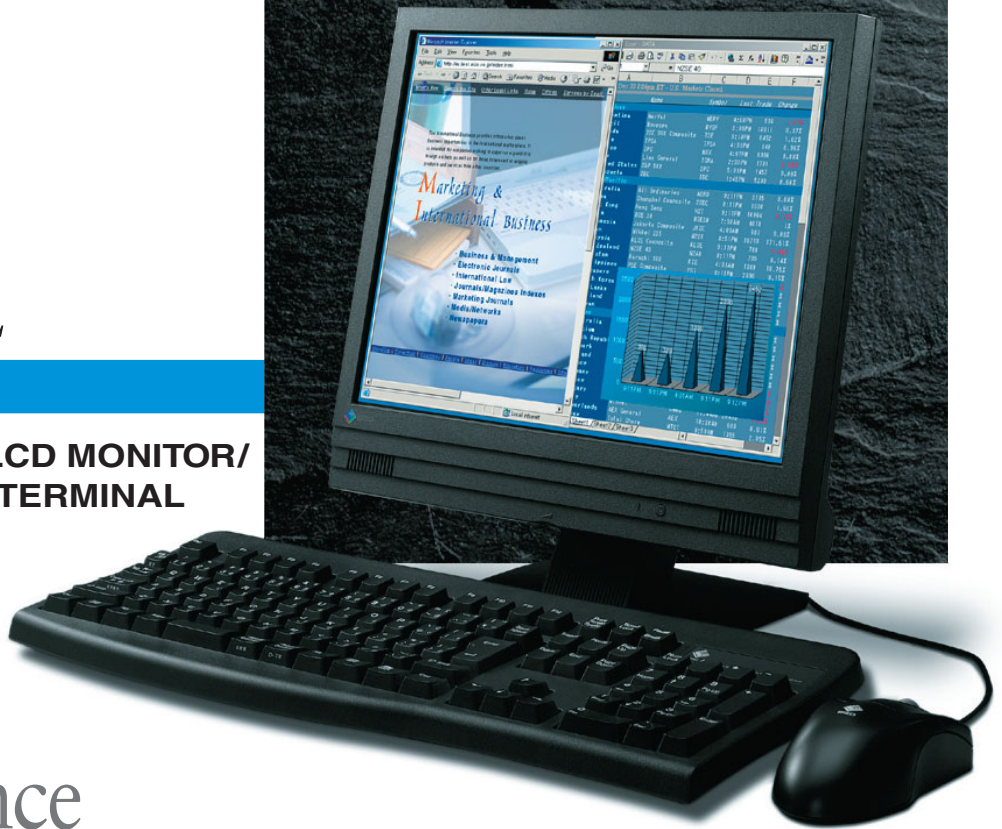
Quality
on Display

eClient® 620L

**INTEGRATED 15" LCD MONITOR/
WINDOWS-BASED TERMINAL**

Dynamic Network Performance

Extending EIZO's range of high-performance LCD-WBTs, the eClient 620L provides an ideal network solution for any corporate user working with a standard array of office applications. Its simple, all-in-one design and compact cabinet house powerful performance capabilities like advanced image display and multiple connectivity, complemented by easy set-up and versatile, space-efficient mounting options. It supports both Microsoft RDP and Citrix ICA protocols, so that administrators can choose whichever best suits their network and applications. In addition, EIZO's Network Administrator 3 software enables management of key terminal settings and functions directly from the host server.



SLIM, COMPACT DESIGN

The eClient 620L is remarkably space-efficient, housing its display, WBT and stereo speakers in a super-slim cabinet with side bezels only 15 mm wide. Set on the desktop, the small-footprint stand is height adjustable over a range of 50 mm: alternatively, the panel can be mounted on the wall or an adjustable arm, leaving only the keyboard and mouse on the desk.

POWER PERFORMANCE

At the heart of the eClient 620L is a 266 MHz CPU backed by 64 MB of RAM and 32 MB of flash memory for fast, powerful performance. The Windows® CE .NET operating system includes an Internet Explorer browser supporting Citrix NFuse™ to give convenient web-based access to applications on the server.

GETTING CONNECTED

As well as a 10BASE-T/100BASE-TX Ethernet connector for smooth, fast communication with the terminal server, the eClient 620L provides two USB downstream ports for the keyboard and mouse, and a serial port that accepts such varied peripherals as a modem for remote access, a barcode scanner, a credit card reader or an IC card reader.

eClient® 620L

INTEGRATED 15" LCD MONITOR/ WINDOWS-BASED TERMINAL

Additional Features

HIGH QUALITY LCD PANEL

EIZO's advanced LCD technology enables sharp, clear image display with 300 cd/m² brightness and a high contrast ratio of 450:1. The 25 ms response time virtually eliminates ghosting, while viewing angles of 160° horizontal and 150° vertical make the whole image easily visible even from oblique angles.

ECONOMICAL OPERATION

With no fan or other moving parts, operation is virtually silent and consumes only 40 watts of power.

REGULATORY STANDARDS

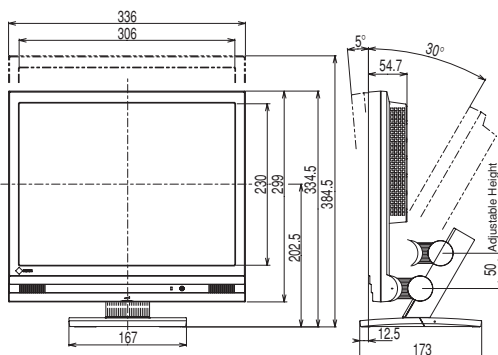
Complies with current ergonomic and energy standards, including TCO'99, TÜV/Ergonomics, the CE Mark, and the EPA ENERGY STAR® Program.



NETWORK ADMINISTRATOR 3

This optional software allows quick, easy management of each eClient terminal in a network directly from one or more host servers. It can be used to configure and update client settings, specify or change client IP addresses, and update firmware. A scheduling function enables system administrators to set the date and time for power on/off operations, configuration updates and maintenance of terminals, individually or in groups. Network Administrator 3 will be available for download from eclient.eizo.com free of charge from May 2004.

Dimensions



(Unit : mm)



Specifications

Panel Size and Type	38 cm (15 inch) TFT color LCD panel
Pixel Pitch	0.297 mm × 0.297 mm
Display Colors	256 / 65,536 ¹
Viewing Angles	Horizontal: 160°, Vertical: 150°
Resolution	1024 × 768
Brightness	300 cd/m ²
Contrast Ratio	450:1
Response Time	Rise Time: 6 ms, Fall Time: 19 ms
Active Display Size (H × V)	304 mm × 228 mm
Viewable Image Size	380 mm (diagonal)
Speakers	Dual 1W built-in speakers with input/headphone jacks
CPU	266 MHz
Ram Memory	64 MB SO-DIMM
Flash Memory	32 MB Flash ROM
Bundled Software	Microsoft Windows CE, NET, Citrix ICA Client, Internet Explorer for Windows CE
Server Operating System Support	Microsoft Windows NT Server 4.0 Terminal Server Edition, Microsoft Windows 2000 Server/Advanced Server/ Datacenter Server, Citrix MetaFrame
Communications Protocols	Microsoft RDP, Citrix ICA
Transport Protocol	TCP/IP with DNS, DHCP, and PPP
Serial Port	D-Sub 9 pin (RS-232C) × 1
Network	10BASE-T/100BASE-TX Ethernet (RJ-45) Wake-on LAN supported
USB	Downstream port × 2 (For keyboard and mouse)
Dimensions (W × H × D)	With Stand: 336 mm × 334.5 – 384.5 mm × 173 mm Without Stand: 336 mm × 299 mm × 54.7 mm
Weight	With Stand: 4.4 kg, Without Stand: 3.2 kg
Tilt Angle	30° Up, 5° Down
Power Consumption	40 watts (typical)
Power Save Mode	Less than 3 watts
Certifications and Standards	TCO'99 ² , TÜV/Ergonomics (including ISO 13406-2), TÜV/GS, CE, CB, UL (cTÜVus), CSA (cTÜVus), Canadian ICES-003-A, TÜV/S, VCCI-A, EPA ENERGY STAR®
Supplied Accessories ³	AC power cord, user's manual, mouse, 4 screws for mount option

¹ 65,536 colors with built-in Internet Explorer for Windows CE.

² Gray cabinet only.

³ EIZO does not offer a keyboard for this model.

Specifications are subject to change without notice.

ENERGY STAR® is a U.S. registered mark. As an ENERGY STAR Partner, Eizo Nanao Corporation has determined that this product meets the ENERGY STAR guidelines for energy efficiency.

Published on chlorine-free paper.

Copyright 2004 Eizo Nanao Corporation. All rights reserved. All product names are trademarks or registered trademarks of their respective companies. EIZO and eClient are registered trademarks of Eizo Nanao Corporation.

(0403a) Printed in Japan, 3, 2004, 0.2K

EIZO NANO CORPORATION

153 Shimokashiwano, Matto, Ishikawa 924-8566 Japan

Phone: +81-76-277-6792 Fax: +81-76-277-6793

eclient.eizo.com

