



17" Color LCD Monitor  
DuraVision® FDS1701

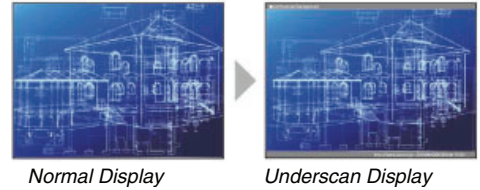


# 17" Color LCD Monitor

## DuraVision® FDS1701

Designed specifically for security and surveillance, the DuraVision FDS1701 combines superb image quality and long-term reliability.

- Backed by a 2-year warranty that covers 24-hour use.
- Includes analog D-Sub mini 15 pin input for connection to a PC and a composite (BNC) input for connection with closed-circuit TVs and security cameras.
- Supports NTSC, PAL, and SECAM signals.
- 3-dimensional Y/C separation circuit reduces noise (ghosting) with NTSC signals.
- Free mount version (no stand) available for installations with their own VESA-compliant mounting devices.
- Built-in dual 0.5-watt speakers with RCA inputs.
- Underscan and normal display settings included. Underscan shows 100% of an image and is ideal for video. Normal displays about 95% of the image – eliminating extraneous TV broadcasting data that sometimes appears at the edges of the screen.
- Made by EIZO at its factories in Japan.

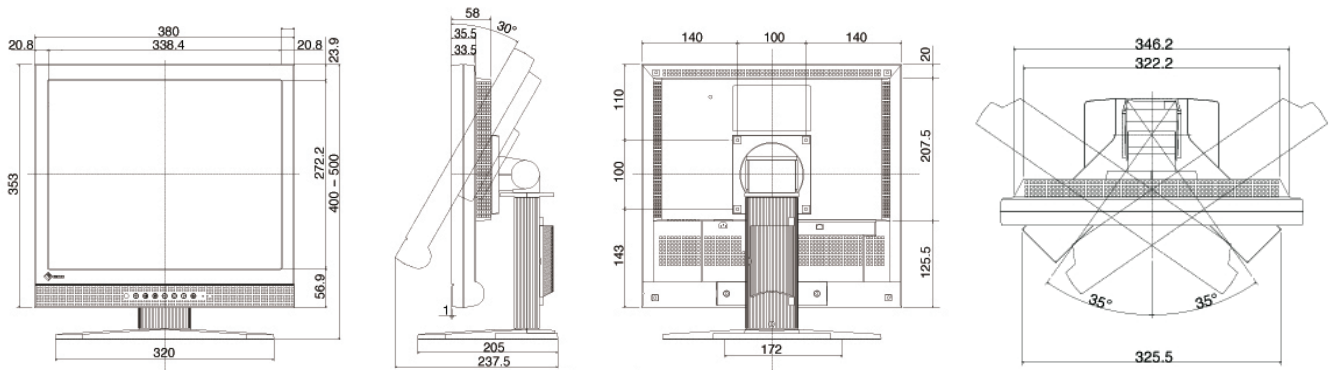


EIZO is a manufacturer of high-end monitors for specialty markets such as radiology, air traffic control, and financial trading. The company has close relationships with its suppliers to ensure it can provide timely delivery and long-term product support.

Panel Size	17" / 43 cm (432 mm diagonal)
Active Display Size (H x V)	338 x 270 mm
Panel Type	TN
Viewing Angles (H, V)	160°, 160° (at contrast ratio of 10:1)
Brightness / Contrast	300 cd/m <sup>2</sup> (max.) / 1000:1
Response Time (Typical)	black-white-black: 5 ms
Native Resolution	1280 x 1024 (5:4 aspect ratio)
Pixel Pitch	0.264 x 0.264 mm
Display Colors	16.77 million
Cabinet Colors	Gray, Black
Dot Clock	126 MHz
Analog Scanning Frequency (H, V)	24.8 – 74.8 kHz, 56.2 – 75.1 Hz
Video Input Terminals	PC: D-Sub mini 15 pin AV: Composite (NTSC, PAL, SECAM),
Audio Input Terminals	RCA x 1
Speakers	0.5 W + 0.5 W speakers
USB Ports / Standard	–

Power Requirements	AC 100 – 120 V / 200 – 240 V, 50 / 60 Hz
Power Consumption	48 W (maximum)
Power Save Mode	Less than 8 W
Power Button Off	1.1 W
Tilt / Swivel / Pivot	30° Up, 0° Down / 35° Right, 35° Left / –
Dimensions (W x H x D)	With Stand: 380 x 400 – 500 x 205 mm Without Stand: 380 x 353 x 58 mm
Net Weight	With Stand: 6.5 kg, Without Stand: 4.6 kg
Screen Adjustment	Clock, Phase, Position, Range (Auto), Smoothing (5 stages)
Picture Adjustment (PC)	PC: Brightness, Contrast, Phase, Frequency Sharpness, Color Temperature AV: Brightness, Contrast, Sharpness, Color, Tint, Color Temperature
Certifications and Standards	C-tick, CE, CB, UL (cTUVus), CSA (cTUVus), FCC-A, Canadian ICES-003-A, TÜV/S, VCCI-A, RoHS, WEEE
Supplied Accessories	AC power cord, PDF user's manual with warranty card, 4 screws for mount option
Warranty	Two years

### Dimensions (mm)



### EIZO NANAO CORPORATION

153 Shimokashiwano, Hakusan, Ishikawa 924-8566 Japan  
Phone +81-76-277-6792 Fax +81-76-277-6793  
www.eizo.com

All product names are trademarks or registered trademarks of their respective companies. DuraVision and EIZO are registered trademarks of Eizo Nanao Corporation. Specifications are subject to change without notice.

Copyright © 2010 EIZO NANAO CORPORATION. All rights reserved.