



FDU2101



FDU2101T

Panel-Mount Marine Monitors for Engine Rooms

Durable and Reliable

The monitors comply with the conditions for temperature, humidity, and vibration as defined in the IEC 60945 international standard for maritime navigation and radiocommunication equipment and systems. IP65 compliance means they can withstand dust ingress and are protected against low-pressure water jets. To make the electronic substrates moisture-proof a coating processing is applied. For long-term reliability, no cooling fan or other easily breakable moving parts are used.

Wide Dimming Range

Both monitors offer a wide dimming range of 0 cd/m² up to the maximum brightness. Because the brightness is controlled by the backlight only, visibility is maintained and gradations are displayed smoothly even at a low setting. For hassle-free adjustment of brightness and other settings in a dimly lit engine room, the control buttons are backlit.

Panel with Wide Viewing Angles

An LCD panel with VA (vertical alignment) technology features wide viewing angles that minimize changes in contrast and gradation to maintain excellent visibility when the screen is viewed from an angle. This allows more than one person at a time to view the monitor.

True Color Display

True 8-bit color display produces 16.7 million colors. Several color properties can be adjusted in the on-screen display menu including brightness, contrast, color temperature, gamma, hue, saturation, and gain.

Touch Panel Model

Both standard (mouse and keyboard input) and touch panel models are available. The touch panel model (DuraVision FDU2101T) supports touch input with bare and gloved hands and minimizes unintended input from dust and water droplets.

Approvals from Classification Societies

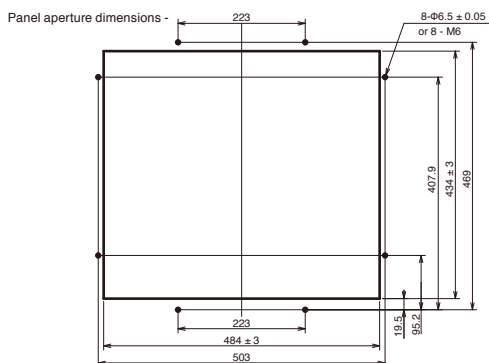
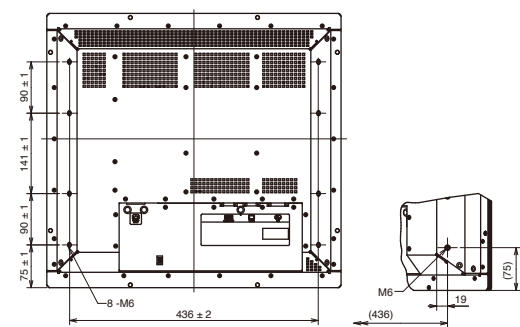
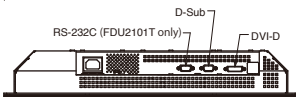
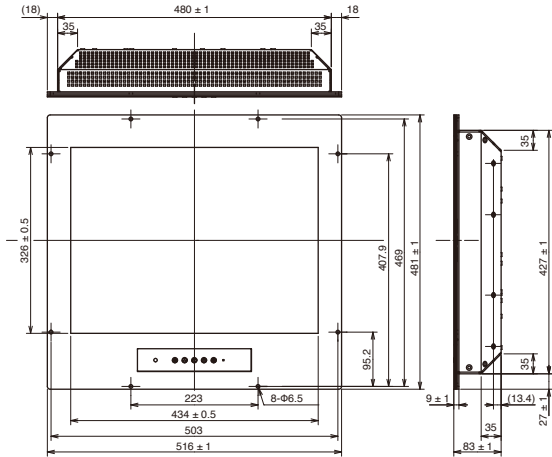
Both monitors have approval from four maritime classification societies: LR (UK), DNV (Norway), ABS (USA), and ClassNK (Japan). They are under application for approval for GL (Germany), CCS (China), and BV (France).

21.3" Industrial Monitors

DuraVision®

FDU2101 / FDU2101T

Dimensions (mm)



SPECIFICATIONS

	Without Touch Panel FDU2101	With Touch Panel FDU2101T
Panel Size	21.3" / 54 cm (540 mm diagonal)	21.3" / 54 cm (540 mm diagonal)
Active Display Size (H x V)	432 x 324 mm	432 x 324 mm
Panel Type	VA	VA
Viewing Angles (H, V)	178°, 178° (at contrast ratio of 10:1)	178°, 178° (at contrast ratio of 10:1)
Brightness	245 cd/m ²	240 cd/m ²
Contrast	1000:1	1000:1
Response Time (Typical)	Gray-to-gray: 8 ms, black-white-black: 16 ms	Gray-to-gray: 8 ms, black-white-black: 16 ms
Native Resolution	1600 x 1200 (4:3 aspect ratio)	1600 x 1200 (4:3 aspect ratio)
Pixel Pitch	0.270 x 0.270 mm	0.270 x 0.270 mm
Display Colors	16.7 million	16.7 million
Cabinet Colors	Black	Black
Dot Clock	Digital / Analog : 162 MHz	Digital / Analog : 162 MHz
Digital Scanning Frequency (H, V)	31 – 76 kHz, 59 – 61 Hz (56 – VGA Text 69 – 71 Hz)	31 – 76 kHz, 59 – 61 Hz (56 – VGA Text 69 – 71 Hz)
Analog Scanning Frequency (H, V)	31 – 92 kHz, 56 – 86 Hz	31 – 92 kHz, 56 – 86 Hz
Video Input Terminals	DVI-D 24 pin x 1, D-Sub mini 15 pin x 1	DVI-D 24 pin x 1, D-Sub mini 15 pin x 1
Plug & Play	VESA DDC 2B	VESA DDC 2B
Power Requirements	AC 100 – 120 V / 200 – 240 V, 50 / 60 Hz	AC 100 – 120 V / 200 – 240 V, 50 / 60 Hz
Power Consumption	60 W (maximum)	60 W (maximum)
Power Save Mode	Less than 4.5 W	Less than 4.5 W
Stand-by Mode	Less than 4 W	Less than 4 W
Dimensions (W x H x D)	516 x 481 x 83 mm	516 x 481 x 83 mm
Net Weight	13 kg	13 kg
Operating Temperature	-15 – 55° C, 10 – 90% R.H. (No condensation)	-15 – 55° C, 10 – 90% R.H. (No condensation)
EcoView Settings	Auto EcoView, Eco Timer	Auto EcoView, Eco Timer
Screen Adjustment	Clock, Phase, Position, Range (Auto), Screen Size	Clock, Phase, Position, Range (Auto), Screen Size
Color Adjustment	Brightness, Contrast, Temperature, Gamma, Saturation, Hue, Contrast and Outline Enhancers, Gain, Reset	Brightness, Contrast, Temperature, Gamma, Saturation, Hue, Contrast and Outline Enhancers, Gain, Reset
Other Settings	Power Save, Power Indicator, Language, Menu Positions, Signal Switching, Input Selection, Auto Sharpness, Information (signal, monitor), Reset	Power Save, Power Indicator, Language, Menu Positions, Signal Switching, Input Selection, Auto Sharpness, Information (signal, monitor), Reset
Certifications and Standards	Maritime: LR (UK), DNV (Norway), ABS (USA), ClassNK (Japan) General: CB, CE, RoHS, WEEE	Maritime: LR (UK), DNV (Norway), ABS (USA), ClassNK (Japan) General: CB, CE, RoHS, WEEE

Touch Panel

Touch Panel Type	-	Analog resistive
Compatible OS	-	Windows 7 32-bit Windows Vista SP1 32-bit Windows XP SP3 32-bit
Communication Protocol	-	RS-232C



EIZO NANO CORPORATION

153 Shimokashiwano, Hakusan, Ishikawa 924-8566 Japan
Phone +81-76-277-6792 Fax: +81-76-277-6793
www.eizo.com

© 2011 Eizo Nanao Corporation

All product names are trademarks or registered trademarks of their respective companies. DuraVision and EIZO are registered trademarks of Eizo Nanao Corporation. Specifications are subject to change without notice.