



12.1" Industrial Monitors  
**DuraVision**<sup>®</sup>  
FDX1201 / FDX1201T



Gray cabinet with or without touch panel



Black cabinet with or without touch panel

## High brightness 12.1" monitors with PC and video inputs

Compact 12.1" Size

Composite (RCA)/S-Video

3D Y/C Separation Circuit

\*NTSC signal

Underscan Display

1000 cd/m<sup>2</sup> Brightness Display

\*Except panel mount and touch panel variations

White LED Backlight

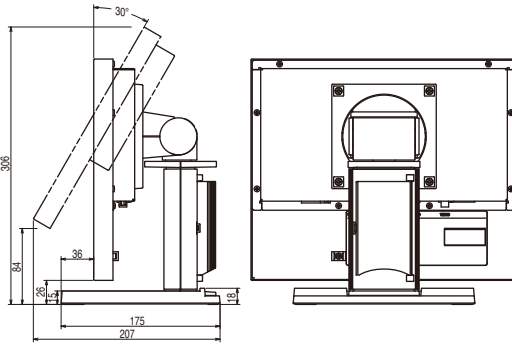
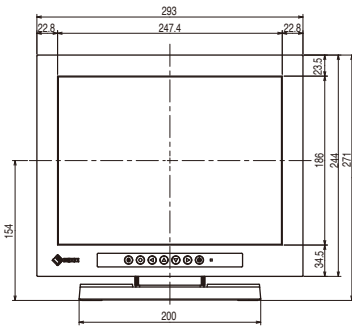
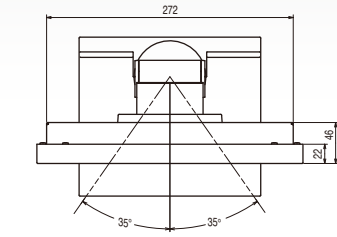
5 Cabinet Variations

2-Year Warranty/24-Hour Use

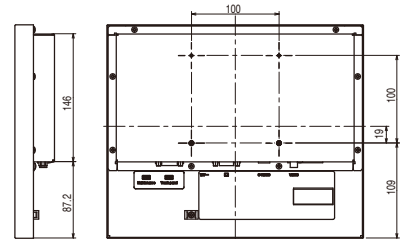


## Dimensions (mm)

### With Stand

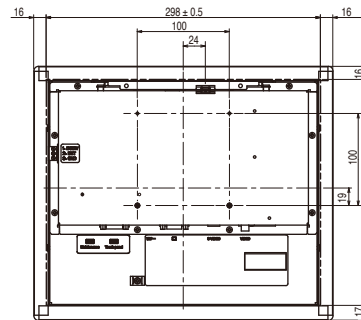
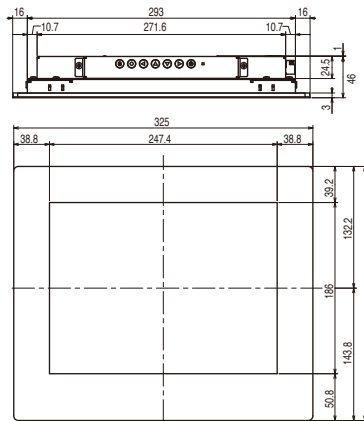
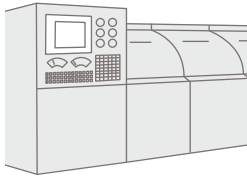


### Free Mount

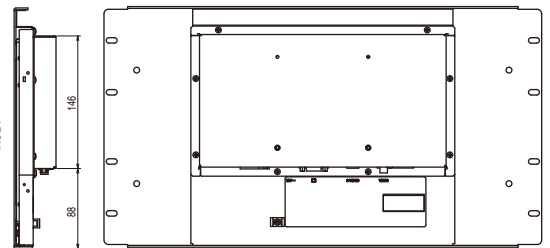
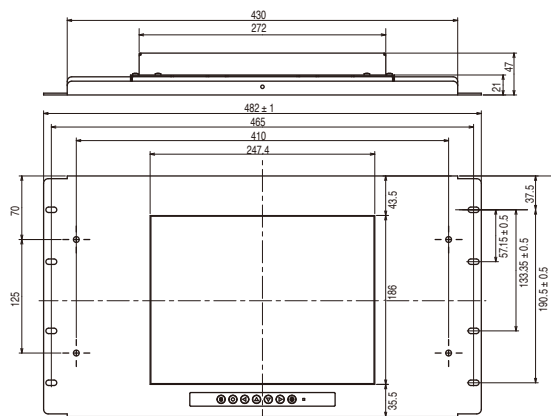


Model Name	With Stand	Free Mount	Panel Mount	Rack Mount	Chassis
FDX1201	4.1 kg	2.5 kg	2.8 kg	3.6 kg	2.2 kg
FDX1201T	4.4 kg	2.8 kg	3.1 kg	3.9 kg	2.5 kg
Hole spacing (VESA)	100 mm				
Operating temperature	0 – 50°C, 20 – 90% R.H. (No condensation)				

### Panel Mount



### Rack Mount



### Chassis

