



# DuraVision® FDX1502T

15" Touch Panel Color LCD Monitor



## Highly Durable 15" Monitor with Multiple Mounting Configurations for Industrial Environments

### Flexible Installation

To meet the requirements of different industrial installations, the monitor is available in multiple configurations - with a stand, VESA mount, panel mount, or chassis mount.

### Durable and Reliable

The monitor can withstand temperatures ranging from 0 - 50°C for high durability in industrial environments. In addition, the cabinet does not contain any ventilation holes, making it impervious to liquids and dust.



### Wide Brightness Range

The monitor's wide brightness range from 0.5 to 320 cd/m<sup>2</sup> allows it to be adjusted to the optimum level for viewing in either bright or dim environments.

### Intuitive Touch Operation

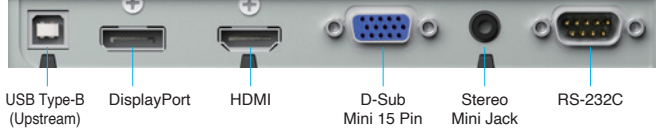
The monitor is equipped with an analog resistive touch panel that accepts touch input from gloved or bare hands, as well as styluses. The touch surface is resistant to dust, water droplets, and other objects, making it suitable for a range of environments including factories, control rooms, hospitals, public transportation facilities, and public access areas.



# DuraVision® FDX1502T

## Complete Connection

The monitor is equipped with DisplayPort™, HDMI®, and D-Sub input terminals for flexible connection. It is also equipped with USB Type-B and RS-232C communication interfaces.



## Built-In Speakers

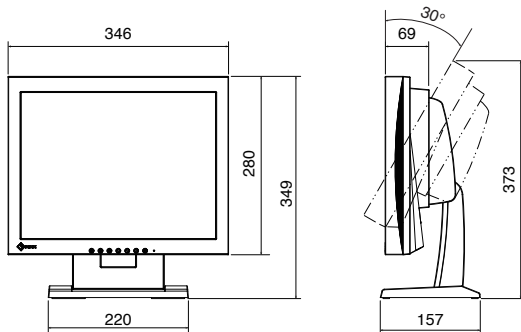
The monitor is equipped with built-in stereo speakers for environments requiring audio.

## Durability and Reliability

The monitor is built for 24-hour use and is backed by a 3-year manufacturer's warranty for long-term reliability.



## Dimensions (Unit : mm)



## Specifications

<b>Model Variation</b>		FDX1502T-TBK: with stand, black FDX1502T-TGY: with stand, gray FDX1502T-FBK: without stand, black FDX1502T-FGY: without stand, gray FDX1502T-PBK: Panel Mount, black FDX1502T-C: Chassis Mount
<b>Panel</b>	<b>Type</b>	TN
	<b>Backlight</b>	LED
	<b>Size</b>	15.0" (38 cm)
	<b>Native Resolution</b>	1024 x 768 (4:3 aspect ratio)
	<b>Viewable Image Size (H x V)</b>	304.1 x 228.1 mm
	<b>Pixel Pitch</b>	0.297 x 0.297 mm
	<b>Display Colors</b>	16.77 million
	<b>Viewing Angles (H / V, typical)</b>	160° / 160°
	<b>Brightness (typical)</b>	320 cd/m <sup>2</sup>
	<b>Contrast Ratio (typical)</b>	600:1
<b>Response Time (typical)</b>	8 ms (black-white-black)	
<b>Touch Panel</b>	<b>Type</b>	Analog resistive
	<b>Touch Points</b>	1
	<b>Surface Treatment</b>	Anti-Glare coating
	<b>Communication Protocol</b>	USB 2.0 / RS-232C
	<b>Surface Hardness</b>	2 H
<b>Video Signals</b>	<b>Compatible OS</b>	Windows 11, Windows 10 (64-bit, 32-bit)
	<b>Input Terminals</b>	DisplayPort (HDCP 1.3), HDMI (HDCP 1.4), D-Sub mini 15 pin
	<b>Digital Scanning Frequency (H / V)</b>	31 - 49 kHz / 59 - 61 Hz
	<b>Analog Scanning Frequency (H / V)</b>	31 - 61 kHz / 55 - 76 Hz
	<b>Sync Formats</b>	Separate
<b>USB</b>	<b>Upstream</b>	USB 2.0: Type-B
<b>Audio</b>	<b>Speakers</b>	FDX1502T-T / -F: 1.0 W + 1.0 W
	<b>Input Terminals</b>	FDX1502T-T / -F: Stereo mini jack, DisplayPort, HDMI
<b>Power</b>	<b>Power Input</b>	FDX1502T-T / -F: AC 100 - 240 V, 50 / 60 Hz FDX1502T-P: DC 12 V FDX1502T-C: DC 12 V (Jack), DC 12 - 24 V (Terminal Block)
	<b>Typical Power Consumption</b>	AC: 5 W
	<b>Maximum Power Consumption</b>	AC: 19 W / DC (12 V): 16 W / DC (24 V): 17 W
	<b>Power Save Mode</b>	AC: 0.4 W / DC: 0.3 W (FDX1502T-P) / DC: 0.5 W (FDX1502T-C)
<b>Features and Functions</b>	<b>Preset Modes</b>	User1, User2, sRGB
<b>Physical Specifications</b>	<b>Dimensions (Landscape, W x H x D)</b>	346 x 349 x 157 mm
	<b>Dimensions (Without Stand, W x H x D)</b>	346 x 280 x 69 mm
	<b>Dimensions (Panel Mount, W x H x D)</b>	383 x 331 x 62 mm
	<b>Dimensions (Chassis Mount, W x H x D)</b>	357 x 273 x 61 mm
	<b>Net Weight</b>	5.7 kg
	<b>Net Weight (Without Stand)</b>	3.4 kg
	<b>Net Weight (Panel Mount)</b>	3.8 kg
	<b>Net Weight (Chassis Mount)</b>	3.0 kg
	<b>Tilt</b>	30° Up, 0° Down
	<b>Hole Spacing (VESA Standard)</b>	FDX1502T-T / -F: 100 x 100 mm / 75 x 75 mm, M4, screw depth 3.0 - 10 mm FDX1502T-P: 100 x 100 mm / 75 x 75 mm, M4, screw depth 3.0 - 8 mm FDX1502T-C: 100 x 100 mm / 75 x 75 mm, M4, screw depth 1.0 - 8.0 mm
<b>Environmental Requirements</b>	<b>Operating Temperature</b>	0 - 50°C
	<b>Operating Humidity (R.H., non condensing)</b>	20 - 90%
	<b>Degree of Protection</b>	FDX1502T-P: IP65 (front)
<b>Certifications &amp; Standards (Please contact EIZO for the latest information.)</b>		FDX1502T-T / -F: CB, CE, UKCA, cTUVus, FCC-B, CAN ICES-3 (B), TUV/S, PSE, VCCI-B, RCM, RoHS, WEEE, CCC, EAC, China RoHS, BIS, India RoHS FDX1502T-P / -C: CB, CE, UKCA, cTUVus, FCC-B, CAN ICES-3 (B), TUV/S, VCCI-B, RCM, RoHS, WEEE, CCC, EAC, China RoHS, BIS, India RoHS
<b>Warranty</b>		3 Years (24-hour use)

## EIZO Corporation

153 Shimokashiwano, Hakusan, Ishikawa 924-8566 Japan  
Phone: +81-76-277-6792  
<https://www.eizoglobal.com>

EIZO, the EIZO logo, and DuraVision are registered trademarks of EIZO Corporation in Japan and other countries. DisplayPort is a trademark of the Video Electronics Association in the United States and other countries. The terms HDMI, HDMI High-Definition Multimedia Interface, HDMI trade dress and the HDMI Logos are trademarks or registered trademarks of HDMI Licensing Administrator, Inc. Windows is a registered trademark of Microsoft Corporation in the United States and other countries. All other company names, product names, and logos are trademarks or registered trademarks of their respective owners. Specifications are subject to change without notice.