



Quality
on Display

FlexScan® L567

43 cm (17")
COLOR LCD MONITOR

Impressive Versatility

The FlexScan L567 offers a combination of superb image quality and ergonomic convenience sure to be appreciated by anyone desiring a high performance monitor for business or administrative applications. Part of EIZO's MultiEdge series, this 17" model introduces the new EIZO-developed ArcSwing stand,

which makes it easier than ever to adjust the monitor for optimum viewability. Employing a Super-

IPS (In-Plane Switching) panel, the FlexScan L567 delivers excellent color reproduction and a wide 170° viewing angle. The monitor is also available without the ArcSwing stand (L567-F) for those who desire different mounting options, and it complies with VESA mounting standards.



FLEXIBLE ARCSWING STAND

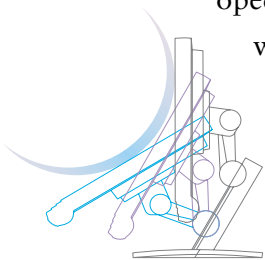
With the FlexScan L567, EIZO introduces a breakthrough in ergonomic design: the ArcSwing stand. Providing a large range of movement in forward/backward and upward/downward directions (61° tilt and 100 mm height), it allows the screen to be adjusted through a wide arc. The panel can also be rotated 90° for portrait display¹. This flexibility, impossible with conventional stands, ensures that users can set the monitor to the most convenient position.

FINE CONTRAST

A button on the front bezel allows the selection of five image modes — Text, Picture, Movie, Custom and sRGB — each of which provides adjustment of such parameters as color temperature, brightness and saturation. Using the Auto Fine Contrast function in the bundled ScreenManager Pro for LCD² software, any mode can be assigned to any application. When the application is opened, the mode is automatically selected.

DESKTOP VIEWER

This EIZO-designed utility³ can display a JPG, BMP or TIFF image, or any selected part of the screen, in an overlay window up to a brightness of 230 cd/m², as well as enlarge or reduce it and alter its brightness, contrast, saturation, hue and gamma values.⁴



FlexScan L567

43 cm (17") COLOR LCD MONITOR



P.I.M. II AND EXIF 2.2

Support for both of these image optimization technologies enables digital camera images to be viewed, edited and printed out at the highest level of quality. (Digital camera and printer must be P.I.M. II- and EXIF 2.2-enabled.)



GAMMA CORRECTION

Ensures smooth, accurate color tones by converting the 8-bit PC data to 10-bit, selecting the ideal gamma values, and reassigning it back to 8-bit for display. Values are adjustable from 1.4 to 3.0 in increments of 0.2.

REGULATORY COMPLIANCE

The FlexScan L567 complies with current international standards for safety, ergonomics and power management. It also conforms to EIZO's own strict Eco Products 2002 environmental criteria for design, manufacture, packaging and usage, including the introduction of lead-free solder and chrome-free steel plates.

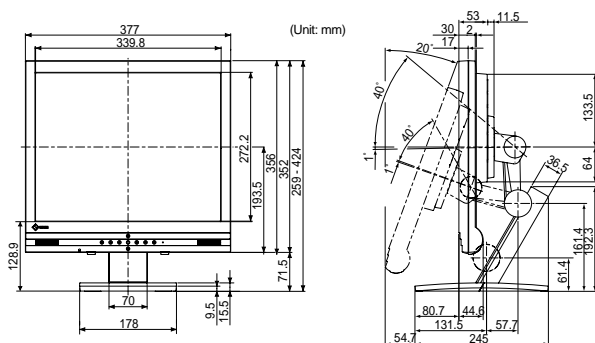


Accessories

A variety of accessories are available for enhancing the convenience and functionality of the FlexScan L567. These include a panel protector, client management software, and several arms and stands that increase placement possibilities. For more information, please access www.eizo.co.jp/welcome/products/lcd/index.html



Dimensions



Specifications

Models	L567 (includes stand), L567-F (panel only)
Panel Size and Type	43 cm (17") TFT color LCD panel
Available Cabinet Colors	Gray, Black
Pixel Pitch	0.264 × 0.264 mm
Display Colors	16.7 million
Viewing Angles	H: 170°, V: 170°
Scanning Frequency (H, V)	Analog: 24.8 – 80 kHz, 50 – 75 Hz Digital: 31 – 64 kHz, 59 – 61 Hz (VGA Text: 69 – 71 Hz)
Native Resolution	1280 × 1024
Brightness / Contrast Ratio	230 cd/m ² (typical) / 400:1 (typical)
Response Time	35 ms (typical)
Dot Clock	Analog: 135 MHz, Digital: 108 MHz
Input Signals	RGB Analog, DVI Standard 1.0
Input Terminals	D-Sub mini 15 pin, DVI-D 24 pin
USB Ports / Standard	1 upstream / Rev. 1.1
Active Display Size (H × V)	338 × 270 mm
Viewable Image Size	432 mm (diagonal)
Plug & Play	VESA DDC 2B
Screen Control	ScreenManager®, ScreenManager Pro for LCD ² , One Touch Auto Adjustment Function
Power Requirements	AC 100 – 120V / 200 – 240V, 50 – 60 Hz
Power Management	VESA DPMS, DVI DMPM
Power Consumption	45 watts
Power Save Mode	Less than 2 watts
OSD Languages	English, French, German, Italian, Japanese, Spanish, Swedish
Height Adjustment Range	100 mm
Dimensions (W × H × D)	With Stand: 377 × 259 – 424 × 245 mm Without Stand: 377 × 356 × 53 mm
Net Weight	With Stand: 6.9 kg, Without Stand: 4.1 kg
Audio	Dual 1W built-in speakers, input/headphone jacks
Tilt / Pivot	60° Up, 1° Down / 90° Right, 90° Left
Certifications and Standards	TCO'03 (gray), TCO'99 (black), TÜV/GS, TÜV/S, TÜV/Ergonomics, CE, CB c-Tick, UL (cTÜVus), CSA (cTÜVus), FCC-B, Canadian ICES-003-B, VCCI-B, EPA ENERGY STAR®, EIZO Eco Products 2002
Supplied Accessories	AC power cord, signal cable (D-Sub – D-Sub), audio cable, USB cable, EIZO LCD Utility Disk (Screen- Manager Pro for LCD, ICC Profile, HTML user's manual), 4 screws for mount option, warranty registration card

¹Specialty software (sold separately) is necessary for viewing in portrait mode.

²ScreenManager Pro for LCD is compatible with the Microsoft® Windows® 98SE/ME/2000/XP OS only. ³DesktopViewer is compatible with the Windows 2000/XP OS only. ⁴Support for editing functions varies with the graphics board used.

Specifications are subject to change without notice.

This product supports PRINT Image Matching. A combination of PRINT Image Matching and PRINT Image Matching II enabled digital still cameras, printers, and software help photographers to produce images which are more faithful to their intentions.

Copyright© 2003 Eizo Nanao Corporation. All rights reserved. All product names are trademarks or registered trademarks of their respective companies. FlexScan, EIZO, and ScreenManager are registered trademarks of Eizo Nanao Corporation.

EIZO NANA O CORPORATION

153 Shimokashiwano, Matto, Ishikawa 924-8566 Japan

Phone +81-76-277-6792 Fax: +81-76-277-6793

www.eizo.com

