



EIZO

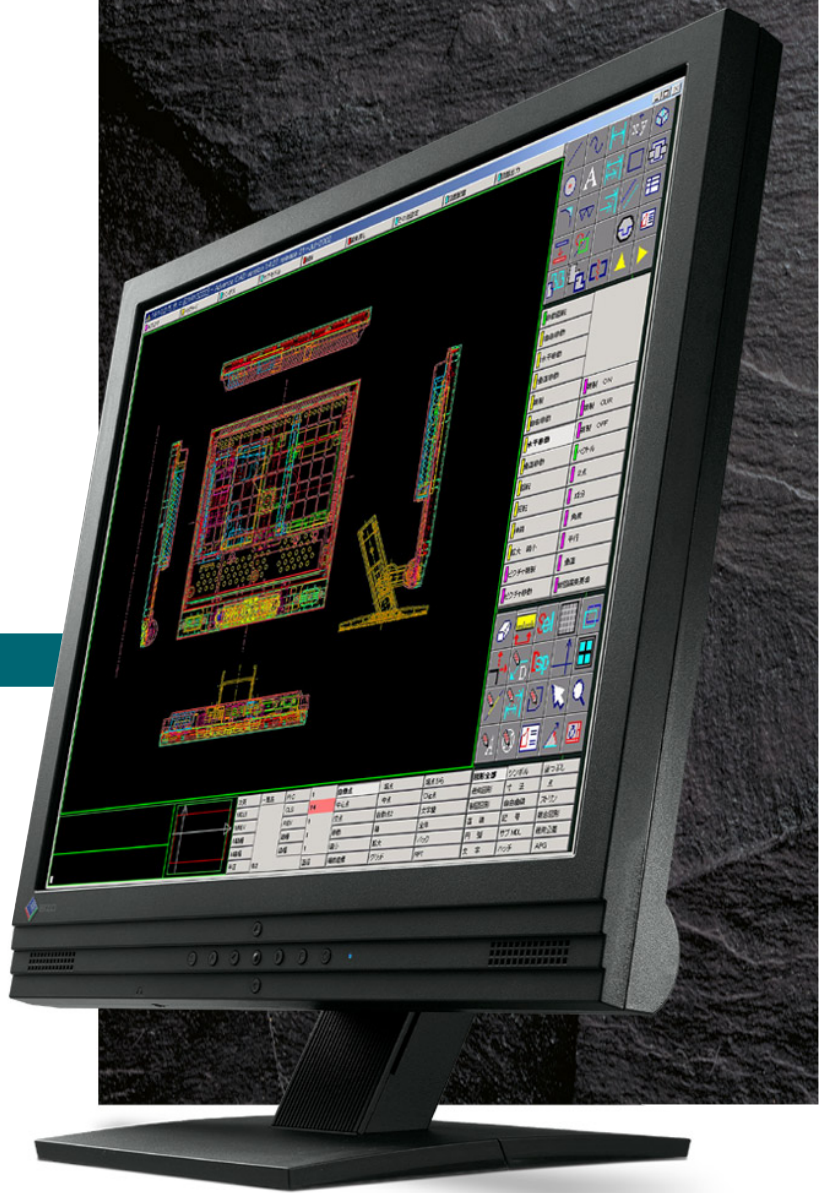
*Quality
on Display*

FlexScan L767

**48 cm (19")
COLOR LCD MONITOR**

Controlled Imaging

Newly designed ergonomic cabinet, customized image adjustment, and digital and analog inputs — the FlexScan L767 offers business, administrative, and CAD professionals all this and more in a large 19" screen size at a native resolution of 1280 × 1024. The inclusion of EIZO original functions such as Fine Contrast and DesktopViewer, as well as support for Seiko Epson Corporation's PRINT Image Matching (P.I.M.) II technology deliver the high-precision image control required for complex text and graphics-based applications. The FlexScan L767 is one of the first products on the market to receive TCO'03 certification, ensuring it meets strict new guidelines for ergonomics and recyclability.



NEW ERGONOMIC DESIGN

With slim side bezels only 18 mm wide, the newly designed cabinet is more space-efficient than ever. Navigating is easier too — control buttons are now arranged in a simple cross pattern, and set on a tiered front panel. The desktop stand allows height adjustment over a 50 mm range, and a VESA-compliant mounting interface lets you install the unit on an adjustable arm or the wall.

FINE CONTRAST

A one-touch button on the front panel accesses five specialized image adjustment modes: Text, Picture, Movie, Custom and sRGB, each with its own settings for parameters such as color temperature, brightness and saturation. Using the bundled ScreenManager Pro for LCD¹ software's Auto Fine Contrast function, any mode can be assigned to an application. When the application is opened, the screen changes automatically to that mode.

DESKTOP VIEWER

This EIZO-designed utility² can display a JPG, BMP or TIFF image, or any selected part of the screen, in an overlay window to a maximum brightness of 250 cd/m², as well as enlarging or reducing it and freely altering its brightness, contrast, saturation, hue and gamma values³.

FlexScan L767

48 cm (19") COLOR LCD MONITOR

Additional Features

P.I.M. II AND EXIF 2.2

Support for these image optimization technologies enable digital camera images to be viewed, edited and printed out at the highest level of quality. (Digital camera and printer must be P.I.M. II- and Exif 2.2-enabled.)



GAMMA CORRECTION

Internal circuitry automatically converts 8-bit data from the PC to 10-bit and back to 8-bit, producing smooth, accurate color tones. Gamma values are also user adjustable from 1.4 to 3.0 in increments of 0.2.

REGULATORY STANDARDS

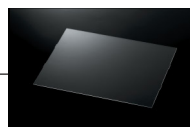
The FlexScan L767 complies with current international standards relating to safety, ergonomics, and power management as well as "EIZO Eco Products 2002", an in-house label covering such environmental issues as manufacture with lead-free solder and chrome-free steel plates.



Accessories

FP-701

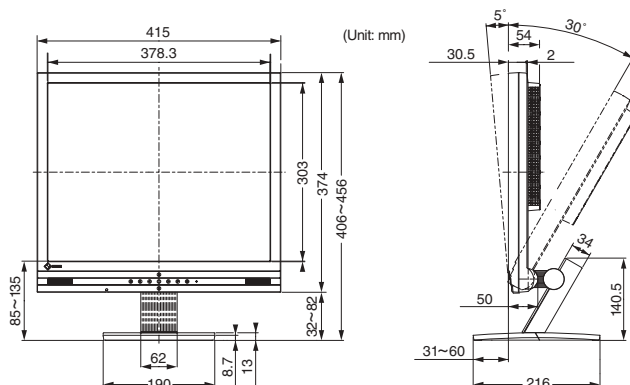
High-transparency screen cover for protection from dust and scratches.



Screen Administrator™

This EIZO-developed software enables various important setup and management tasks of client PCs and monitors to be executed across a network from a single server PC.

Dimensions



Specifications

Panel Size and Type	48 cm (19") TFT color LCD panel
Available Cabinet Colors	Gray, Black
Pixel Pitch	0.294 mm × 0.294 mm
Display Colors	16.7 million
Viewing Angles	H: 170°, V: 170°
Scanning Frequency	Analog: 24.8 – 80 kHz, 50 – 75 Hz Digital: 31 – 64 kHz, 59 – 61 Hz (VGA Text: 69 – 71 Hz)
Recommended Resolution	1280 × 1024
Brightness	250 cd/m ² (typical)
Contrast Ratio	500:1 (typical)
Response Time	25 ms (typical)
Dot Clock	Analog: 135 MHz, Digital: 108 MHz
Input Signals	RGB Analog, DVI Standard 1.0
Input Terminals	D-Sub mini 15 pin, DVI-D 24 pin (switchable)
USB Port / Standard	1 Upstream / Rev.1.1
Active Display Size (H × V)	376 mm × 301 mm
Viewable Image Size	482 mm (diagonal)
Plug & Play	VESA DDC 2B
Screen Control	ScreenManager®, ScreenManager Pro for LCD ¹ , One Touch Auto Adjustment Function
Power Requirements	AC 100 – 120V / 200 – 240V, 50 – 60 Hz
Power Management	VESA DPMS, DVI-DMPM
Power Consumption	45 watts (maximum)
Power Save Mode	Less than 2 watts
OSD Languages	English, French, German, Italian, Japanese, Spanish, Swedish
Dimensions (W × H × D)	With Stand: 415 mm × 406 – 456 mm × 216 mm Without Stand: 415 mm × 374 mm × 54 mm
Net Weight	With Stand: 6.6 kg, Without Stand: 5.1 kg
Audio	Dual 1W built-in speakers, input/headphone jacks
Tilt	30° Up, 5° Down
Certifications and Standards	TCO [®] 03 (gray), TCO [®] 99 (black), TÜV/Ergonomics, TÜV/GS, c-Tick CE, CB, UL 60950: 2000, CSA C22.2 No. 60950-00, FCC-B, Canadian ICES-003-B, TÜV/S, VCCI-B, EPA ENERGY STAR [®] , EIZO Eco Products 2002
Supplied Accessories	AC power cord, signal cable (D-Sub mini 15 pin), USB cable, audio cable, setup guide, EIZO LCD Utility Disk (ScreenManager Pro for LCD, ICC Profile, HTML user's manual), 4 screws for mount option, warranty registration card

¹ScreenManager Pro for LCD is compatible with the Microsoft® Windows® 98SE/ME/2000/XP OS only. ²DesktopViewer is compatible with the Windows 2000/XP OS only. ³Support for editing functions varies with the graphics card used.

Specifications are subject to change without notice. This product supports PRINT Image Matching. A combination of PRINT Image Matching and PRINT Image Matching II enabled digital still cameras, printers, and software help photographers to produce images which are more faithful to their intentions. Copyright © 2003 Eizo Nanao Corporation. All rights reserved. All product names are trademarks or registered trademarks of their respective companies. Screen Administrator is a trademark, and FlexScan, EIZO, and ScreenManager are registered trademarks of Eizo Nanao Corporation.

