



Quality  
on Display

## FlexScan® L795

48 cm (19")  
COLOR LCD MONITOR

# Versatile Performance

The FlexScan L795 is designed to meet the specialized requirements of financial and corporate environments. Unique EIZO functions like ActiveRotation portrait mode support and ActiveShot picture-in-picture help traders more efficiently use the 19" screen. At the same time, the SlimEdge thin bezel design provides numerous ergonomic benefits and is complemented by a wide selection of mounting accessories that bring an almost unlimited choice of placement options. Images are clear and bright from any angle, and 10-bit gamma correction ensures excellent color rendition. Backed by an industry-leading five year warranty, the FlexScan L795 offers low total cost of ownership and long term reliability.



### ACTIVESHOT

An EIZO-original feature, ActiveShot produces picture-in-picture display from two computer sources. Traders can input data while watching stock price movements without having to switch between application windows. Two modes are available: Standard, which shows the entire screen from the second source in the sub-window, and Clip, which lets the user select any portion of the screen for viewing in the sub-window.

### ACTIVE ROTATION

ActiveRotation provides hardware support for portrait mode without the need for special software<sup>1</sup>. It converts both analog and digital signals to portrait mode with no reduction in drawing speed or system stability, and eliminates compatibility problems with other application software.

### SLIMEDGE DESIGN

Thin bezels around the monitor save considerable space on the desktop and minimize the distance between screens in multi-panel arrays. For positioning flexibility, the panel tilts and swivels 41° and 70° respectively, and the stand has a height adjustment range of 100 mm.

# FlexScan® L795

## 48 cm (19") COLOR LCD MONITOR

### Additional Features

#### USB 2.0 HUB

This one upstream, two downstream hub facilitates high speed connections with other peripherals

#### SYNC FORMATS

Supports separate sync, composite sync, and sync-on-green analog signal types, ensuring compatibility with workstations and standards PCs.

#### REGULATORY STANDARDS

Complies with leading industry standards, including TCO'03, TÜV Ergonomics, and EPA Energy Star. It also conforms to EIZO's own strict Eco Products 2002 environmental criteria for design, manufacture, packaging, and usage, including the introduction of lead-free solder and chrome-free steel plates.



### Accessories

A variety of accessories are available for enhancing convenience and flexibility, such as a panel protector, client management software, an attachable speaker unit, and a height adjustable stand that holds two monitors.

For more information, please see <http://www.eizo.co.jp/welcome/products/lcd/>

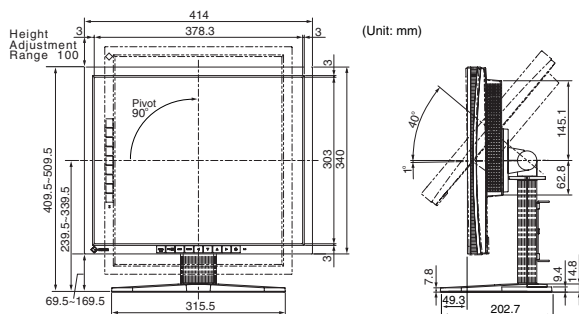
### Support

EIZO and its authorized distributors offer a five year limited warranty for the FlexScan L795.



*The usage time is limited to 30,000 hours or less, and the warranty period of the LCD panel and backlight is limited to three years from the date of purchase.*

### Dimensions



### Specifications

|                              |   |
|------------------------------|---|
| Panel Size and Type          | 48 cm (19") TFT color LCD panel   |
| Available Cabinet Colors     | Gray, Black   |
| Pixel Pitch                  | 0.294 × 0.294 mm  |
| Display Colors               | 16.77 million   |
| Viewing Angles (H, V)        | 170°, 170°  |
| Scanning Frequency (H, V)    | Analog: 30 – 82 kHz, 49 – 86 Hz<br>Digital: 30 – 81 kHz, 59– 61 Hz (VGA Text: 70 Hz)  |
| Native Resolution            | 1280 × 1024   |
| Brightness                   | 250 cd/m <sup>2</sup>   |
| Contrast Ratio               | 500:1   |
| Response Time                | 25 ms (typical)   |
| Dot Clock                    | Analog: 140 MHz, Digital: 120 MHz   |
| Input Signals                | RGB Analog, DVI Standard 1.0  |
| Sync Format                  | Separate, Composite, Sync-on-Green <sup>2</sup>   |
| Input Terminals              | D-Sub mini 15 pin, DVI-I 29 pin (switchable)  |
| USB Ports / Standard         | 1 upstream, 2 downstream / USB Standard Rev. 2.0  |
| Active Display Size (H × V)  | 376 × 301 mm  |
| Viewable Image Size          | 482 mm (diagonal)   |
| Plug & Play                  | VESA DDC 2B   |
| Screen Control               | ScreenManager®,<br>One Touch Auto Adjustment Function   |
| Power Requirements           | AC 100 – 120V / 200 – 240V, 50 – 60 Hz  |
| Power Management             | VESA DPMS, EIZO MPMS, DVI DMPM  |
| Power Consumption            | 53 watts  |
| Power Save Mode              | Less than 3 watts   |
| OSD Languages                | English, French, German, Italian, Japanese, Spanish, Swedish  |
| Height Adjustment Range      | 100 mm  |
| Dimensions (W × H × D)       | With Stand: 414 × 409.5 – 509.5 × 202.7 mm<br>Without Stand: 414 × 340 × 62 mm  |
| Net Weight                   | With Stand: 7.5 kg, Without Stand: 5.2 kg   |
| Tilt / Swivel                | 40° Up, 1° Down / 35° Right, 35° Left   |
| Pivot                        | 90°   |
| Certifications and Standards | TCO'03 (gray), TCO'99 (black), TÜV/Ergonomics,<br>TÜV/GS, c-Tick CE, CB, UL (cTÜVus), CSA (cTÜVus),<br>FCC-B, Canadian ICES-003-B, TÜV/S, VCCI-B,<br>EPA ENERGY STAR®, EIZO Eco Products 2002 |
| Supplied Accessories         | AC power cord, user's manual, signal cables<br>(D-Sub – D-Sub, DVI-I – D-Sub), USB cable,<br>EIZO LCD Utility Disk (ActiveRotation software,<br>ICC Profile), warranty registration card      |
| Warranty                     | Five Years  |

<sup>1</sup>ActiveRotation operates in 1024 × 1280 resolution only. Graphics board compatibility varies. Please see <http://www.eizo.co.jp/welcome/support/faqs/index.html> for more information. ActiveShot and ActiveRotation cannot be used simultaneously.  
<sup>2</sup>Sync-on-green is not supported by the ActiveRotation function.

Specifications are subject to change without notice.

Copyright © 2003 Eizo Nanao Corporation. All rights reserved. All product names are trademarks or registered trademarks of their respective companies. FlexScan, EIZO, and ScreenManager are registered trademarks of Eizo Nanao Corporation.

#### EIZO NANAO CORPORATION

153 Shimokashiwano, Matto, Ishikawa 924-8566 Japan

Phone +81-76-277-6792 Fax: +81-76-277-6793

[www.eizo.com](http://www.eizo.com)

