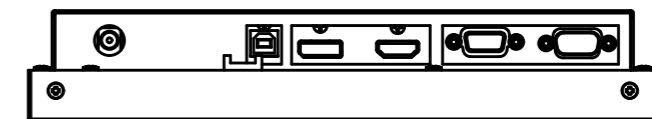
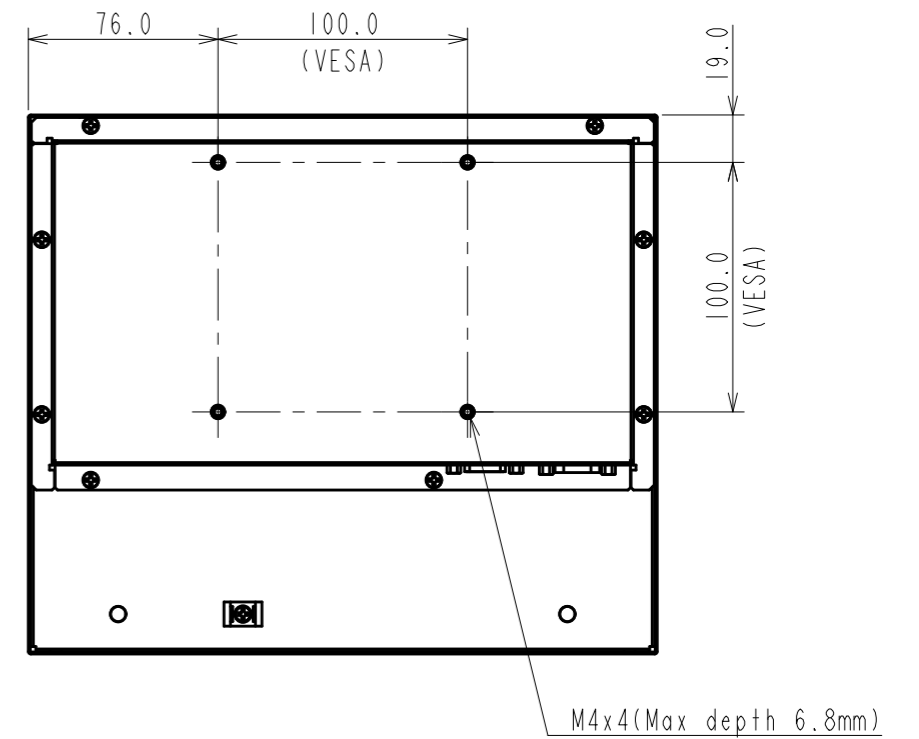
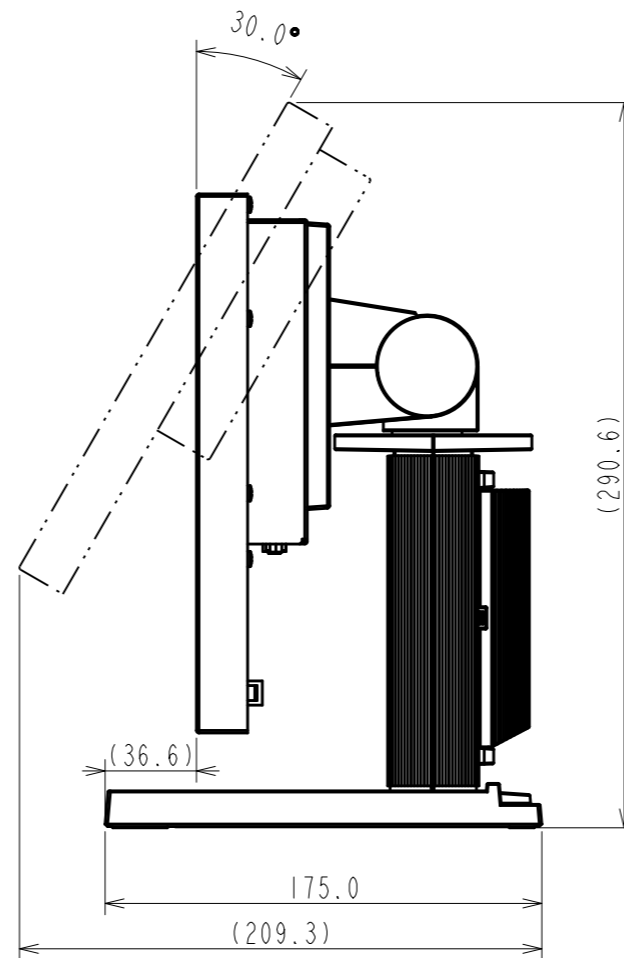
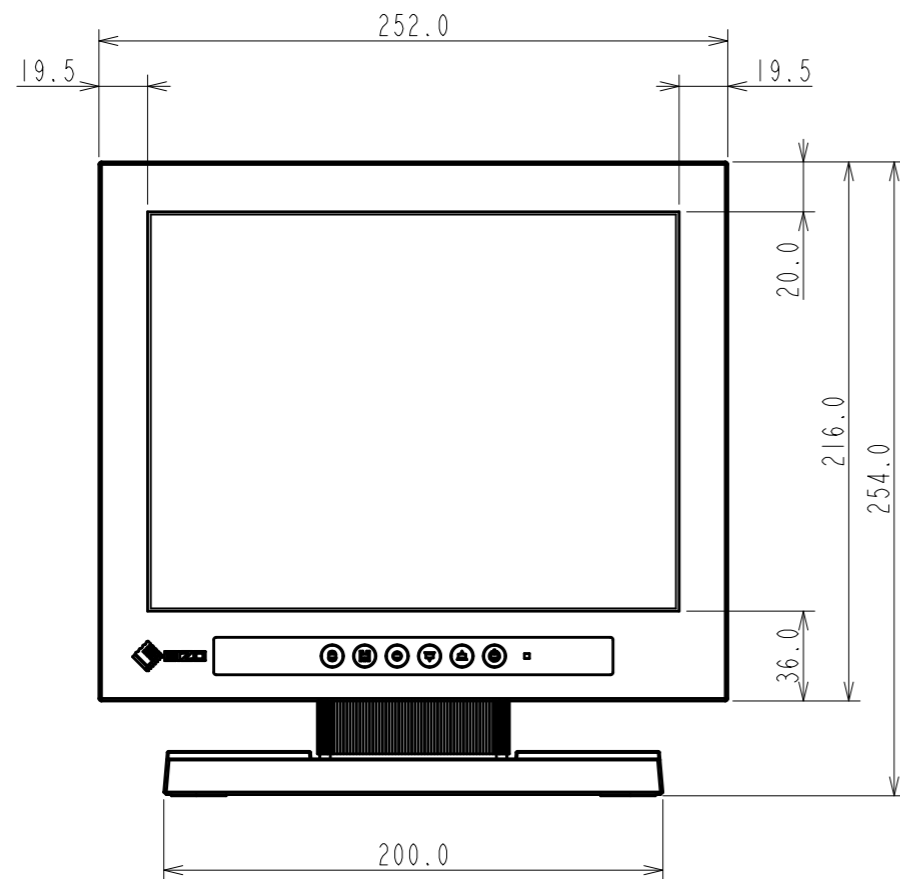
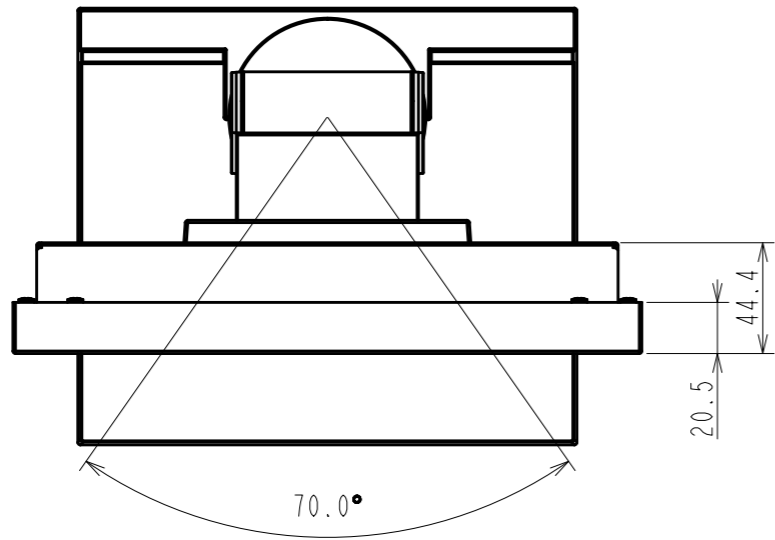


OUTLINE DIMENSIONS

MODEL FDX1004T

UNIT mm

EIZO Corporation

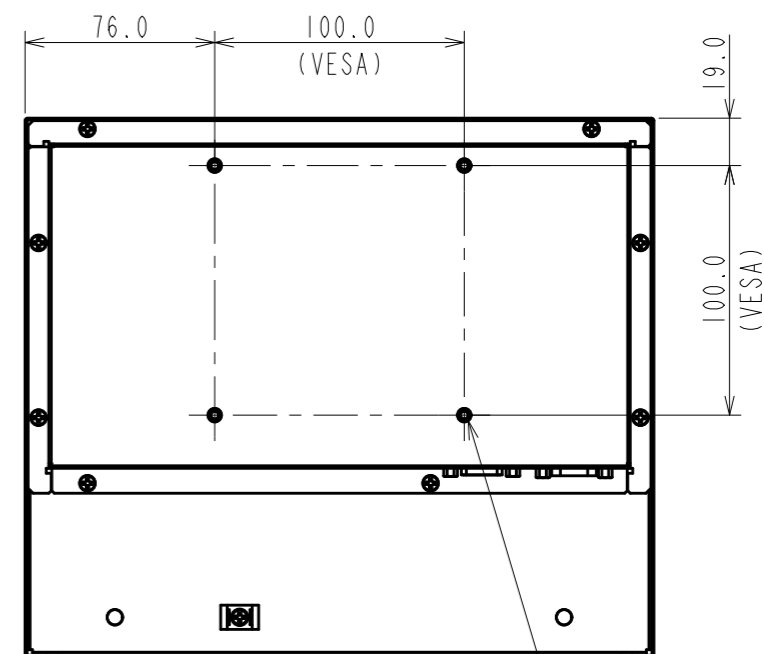
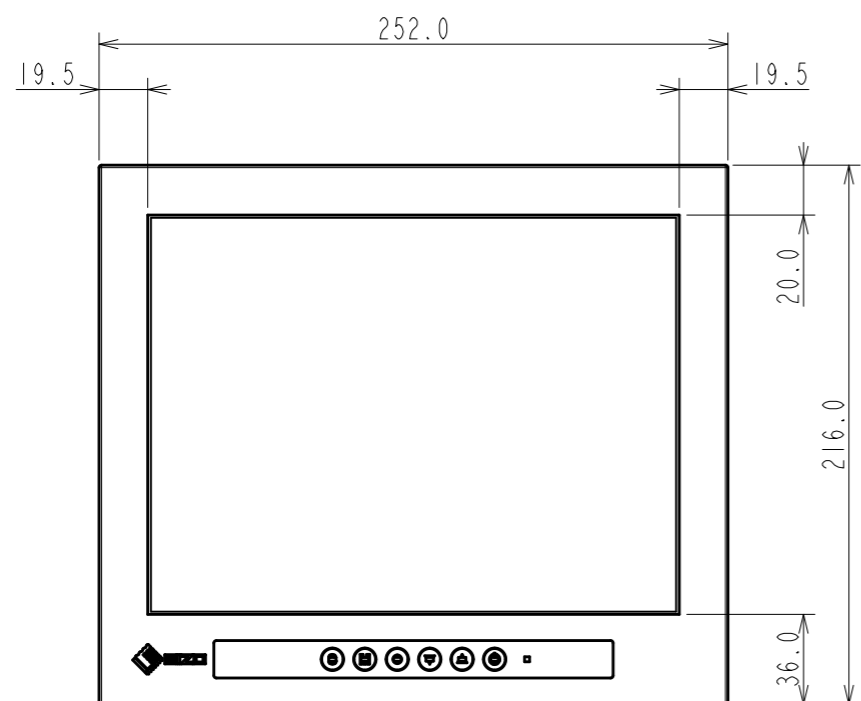
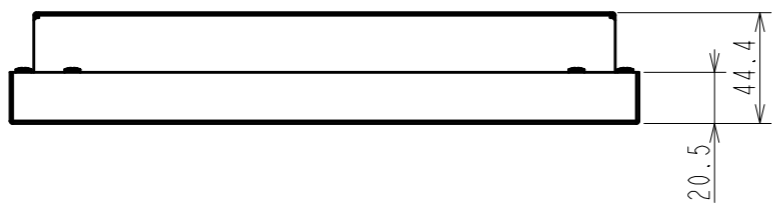


OUTLINE DIMENSIONS

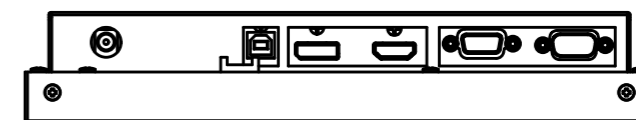
MODEL FDX1004T

UNIT mm

EIZO Corporation



M4x4 (Max depth 6.8mm)

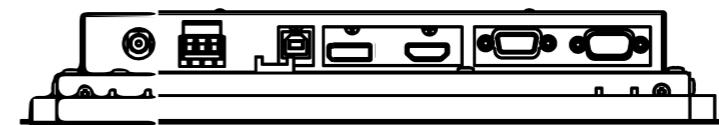
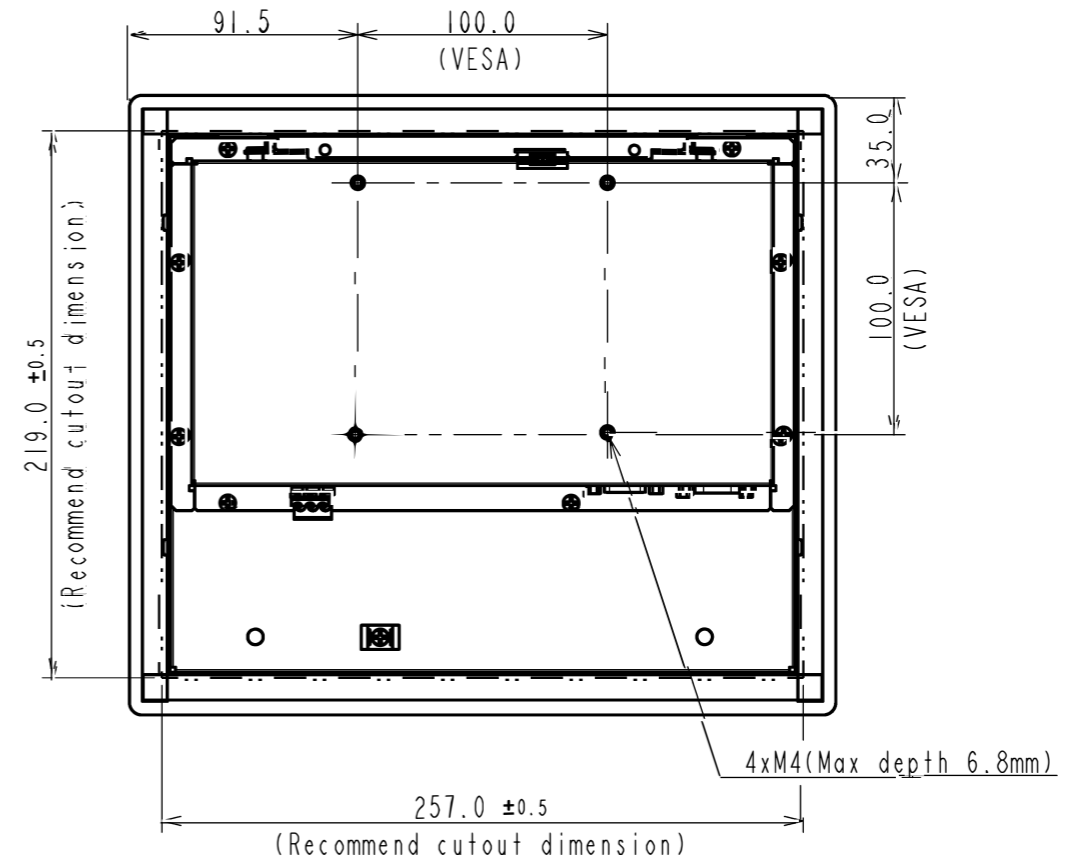
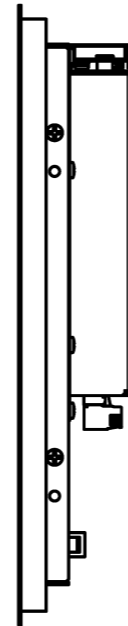
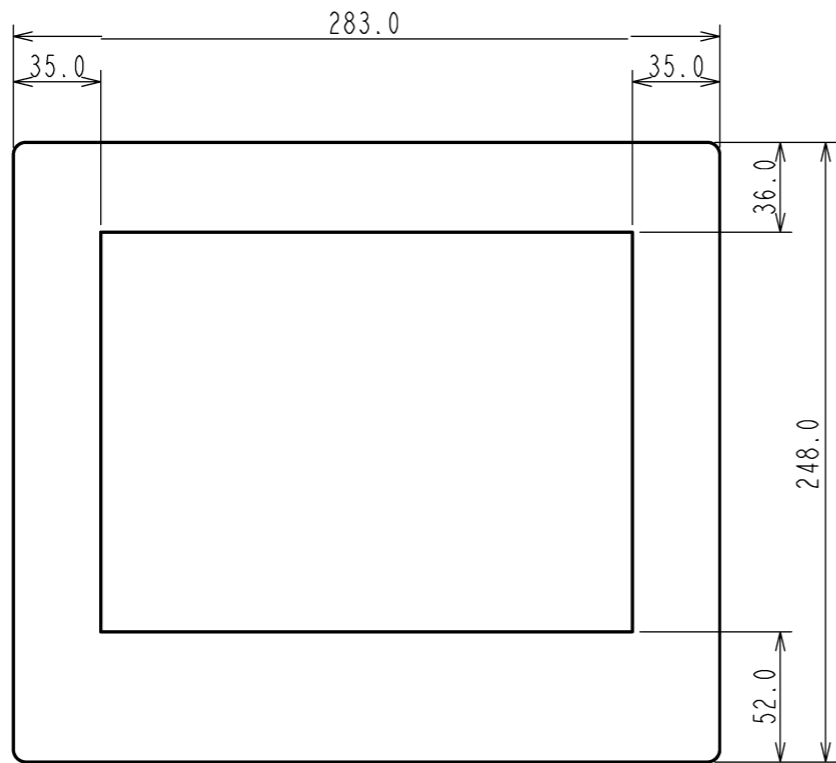
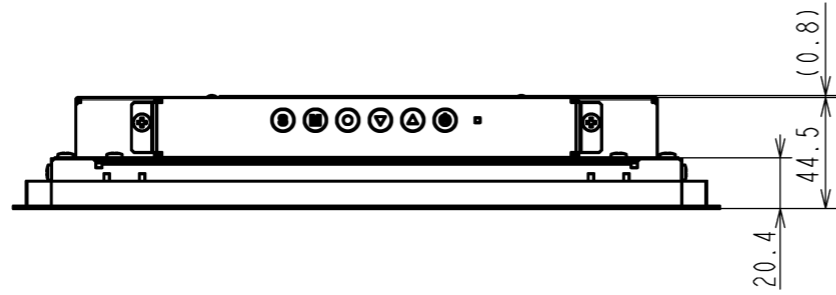


OUTLINE DIMENSIONS

MODEL FDX1004T-P

UNIT mm

EIZO Corporation



OUTLINE DIMENSIONS

MODEL FDX1004T-C

UNIT mm

EIZO Corporation

