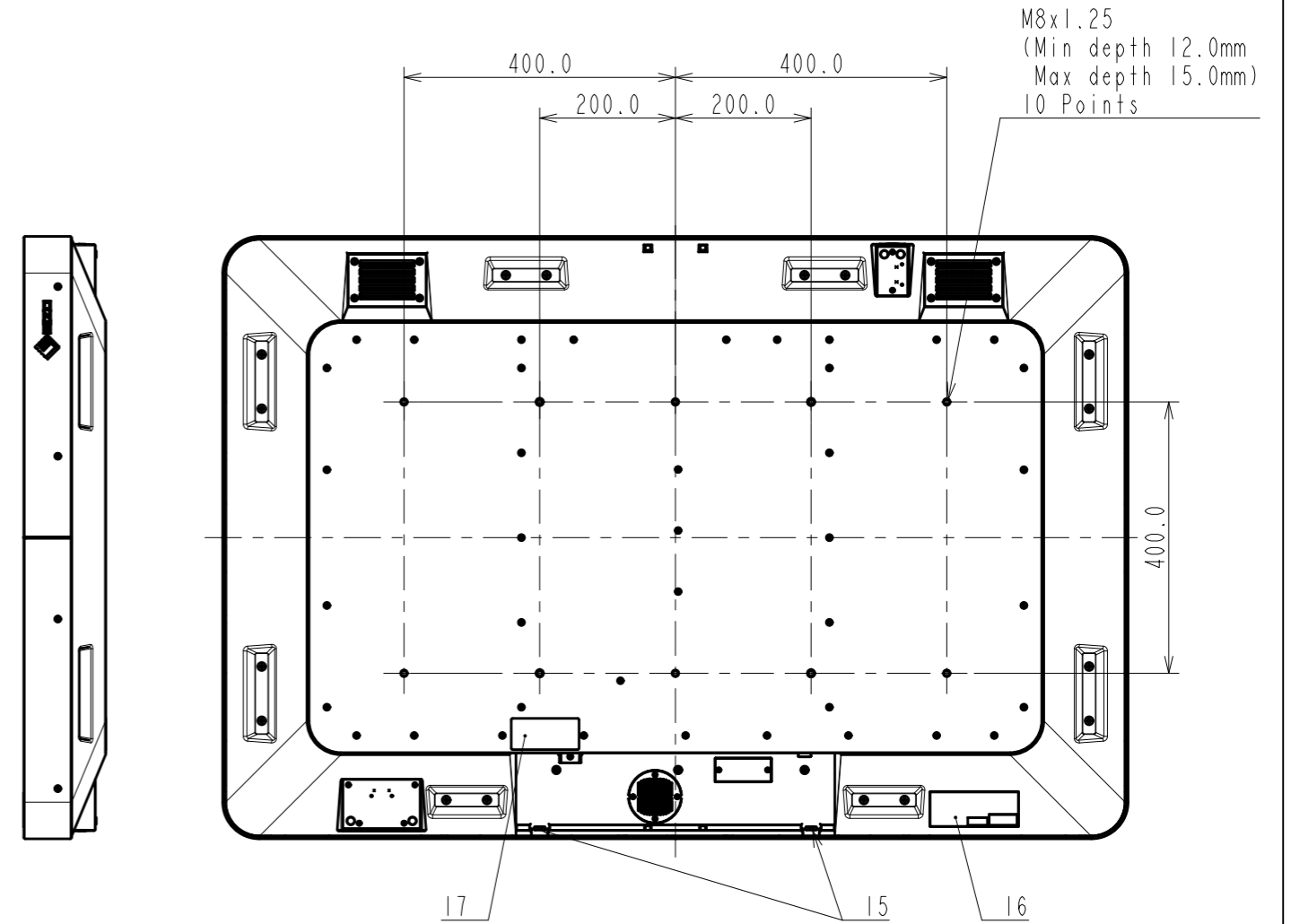
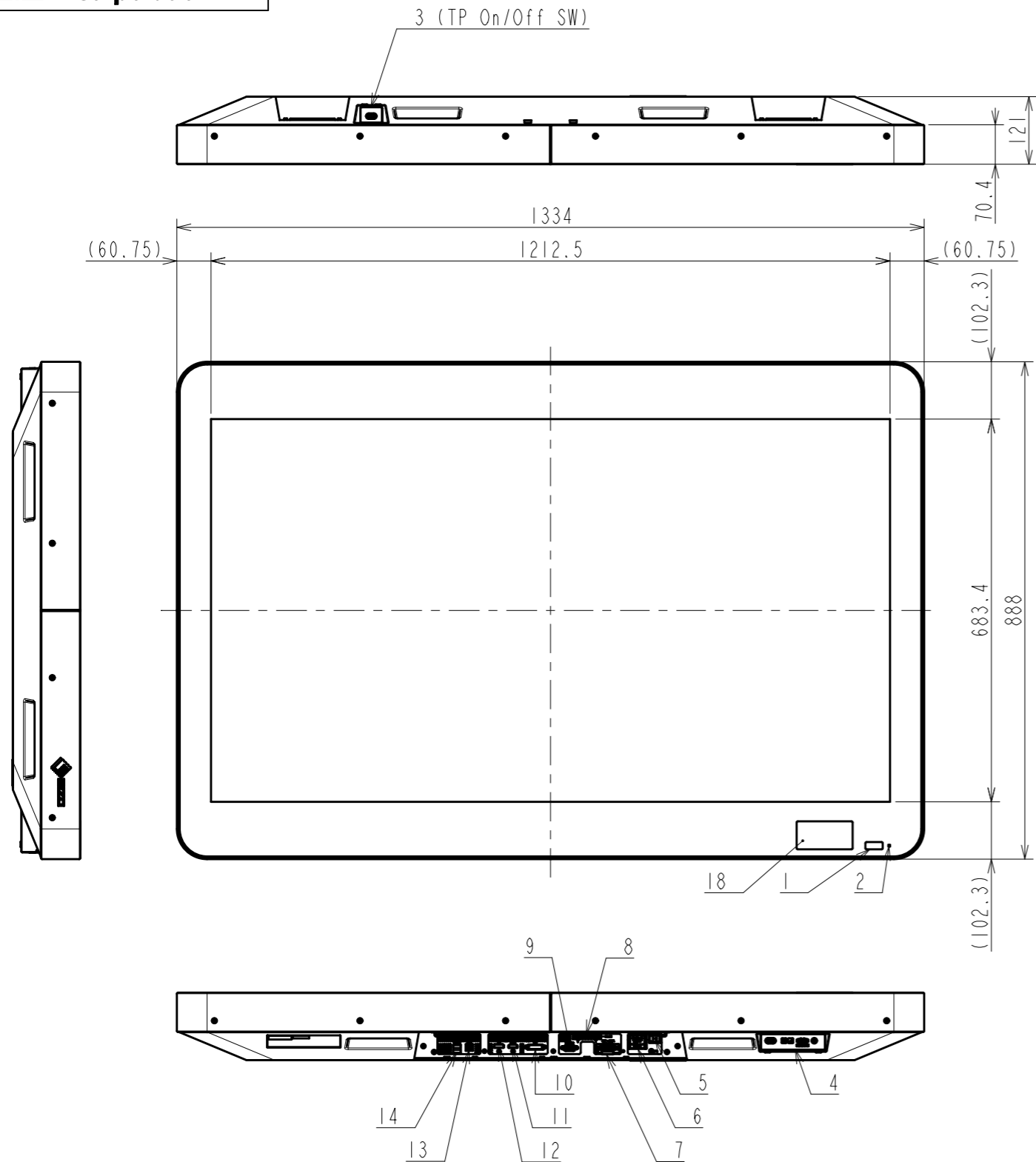


# OUTLINE DIMENSIONS

MODEL	MDU5501WT
UNIT	mm
<b>EIZO Corporation</b>	



- |  |                   |
|--|-------------------|
| 1. ECDIS INDICATOR                                     | 10. DVI-D         |
| 2. POWER INDICATOR                                     | 11. HDMI          |
| 3. BUTTON<br>Touch-on/off-SW                           | 12. DP            |
| 4. BUTTON<br>Touch-on/off-SW /MENU/ENTER/UP/DOWN/POWER | 13. USB(UP)       |
| 5. SW  | 14. USB(DOWNx2)   |
| 6. POWER-INPUT(AC), INLET-COVER                        | 15. CABLE HOLDER  |
| 7. POWER-INPUT(DC)                                     | 16. TYPE LABEL    |
| 8. RS485   | 17. CAUTION LABEL |
| 9. RS232C(9pin)  | 18. NOTICE LABEL  |