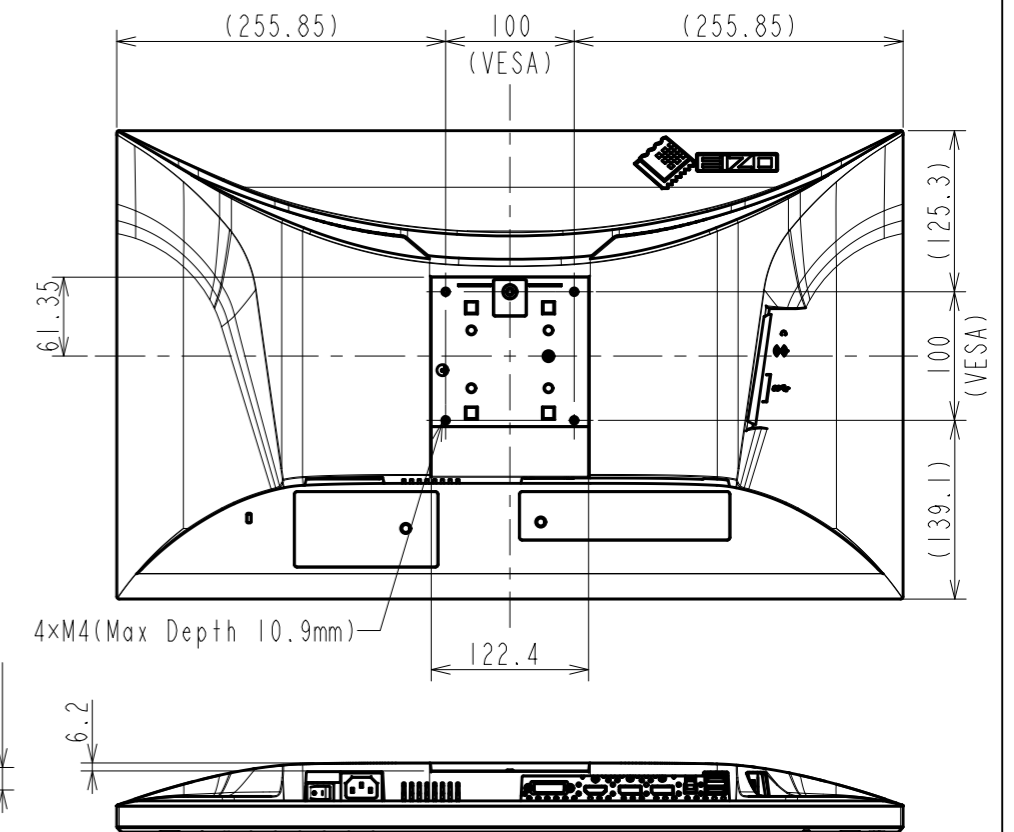
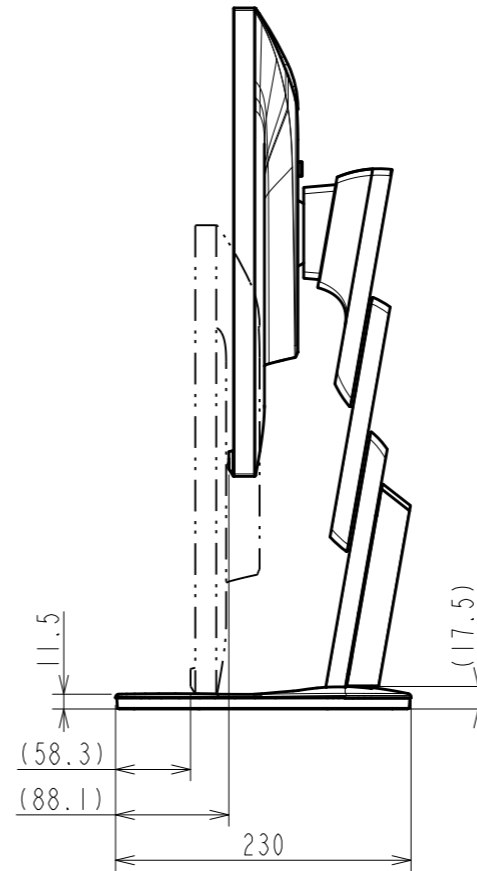
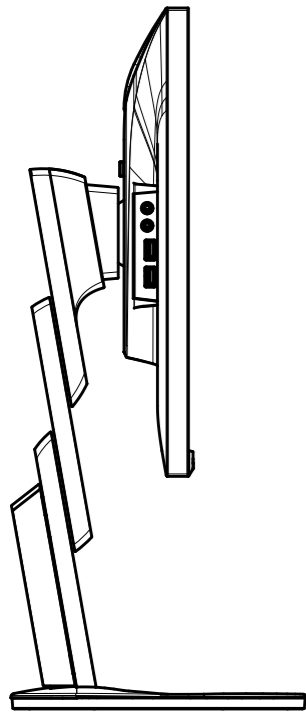
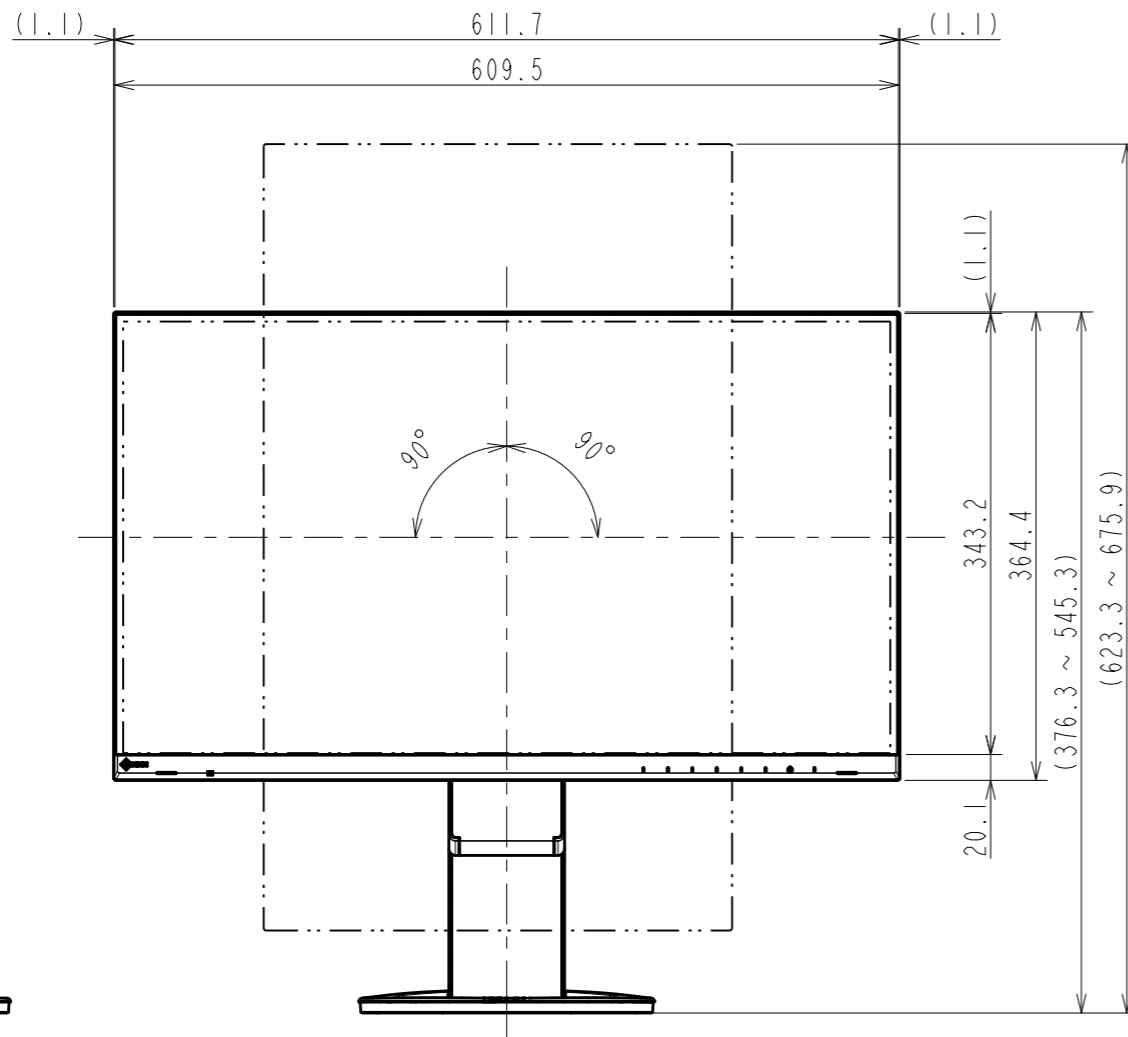
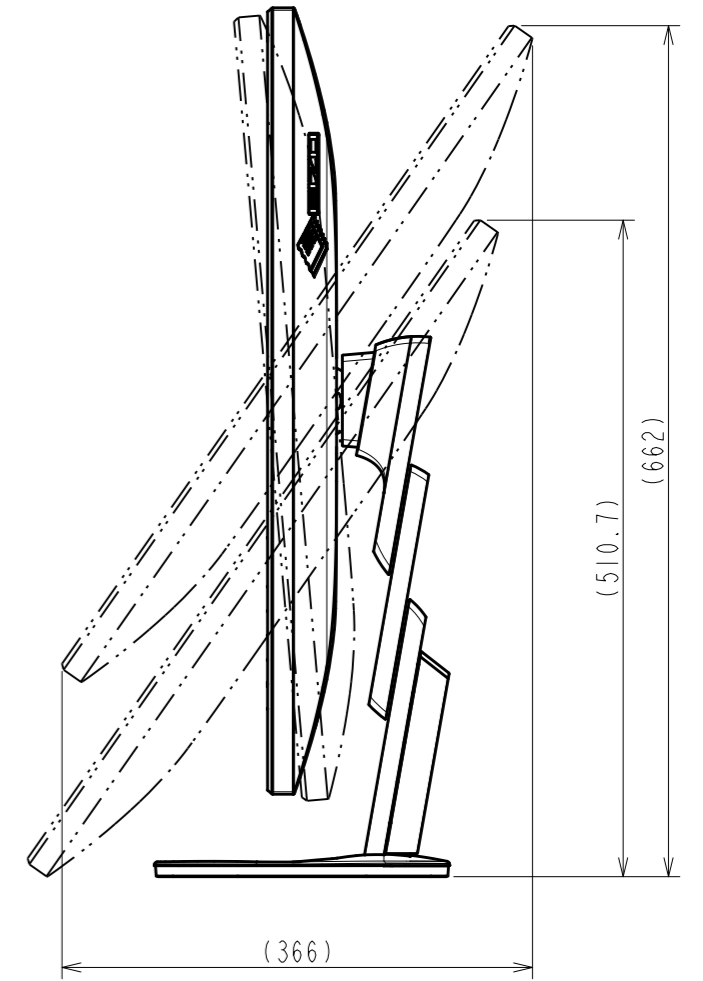
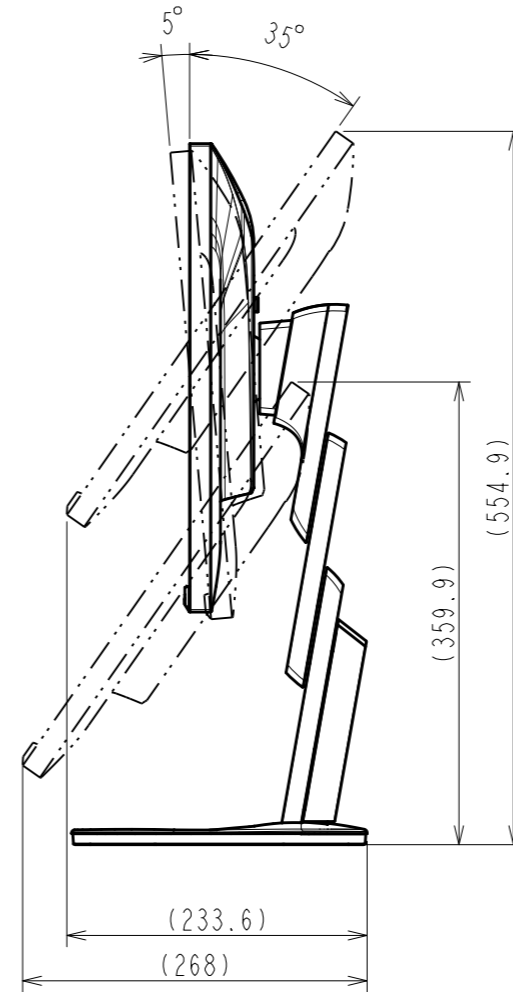
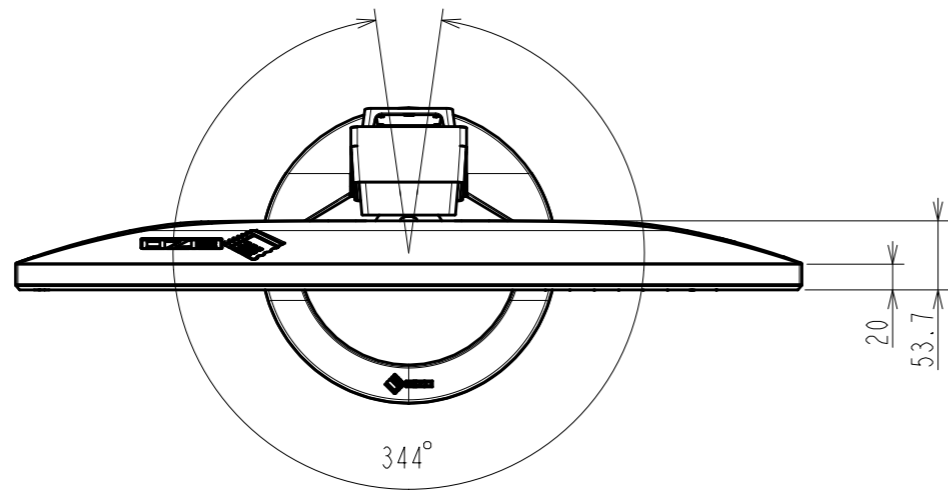


# OUTLINE DIMENSIONS

MODEL EV2760

UNIT mm

**EIZO Corporation**



# OUTLINE DIMENSIONS

MODEL EV2760

UNIT mm

**EIZO Corporation**

