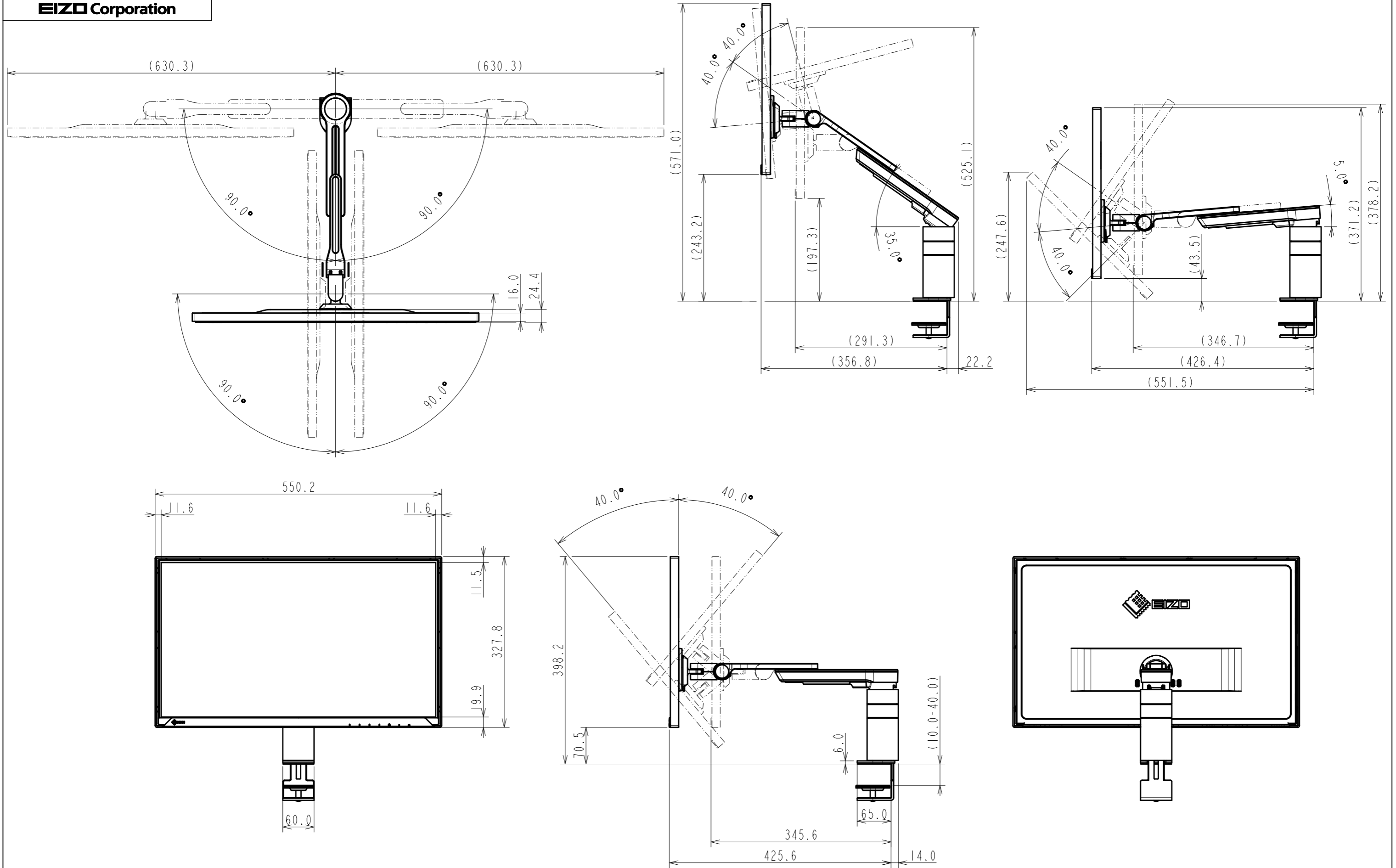


# OUTLINE DIMENSIONS

MODEL FLT

UNIT mm

**EIZO Corporation**

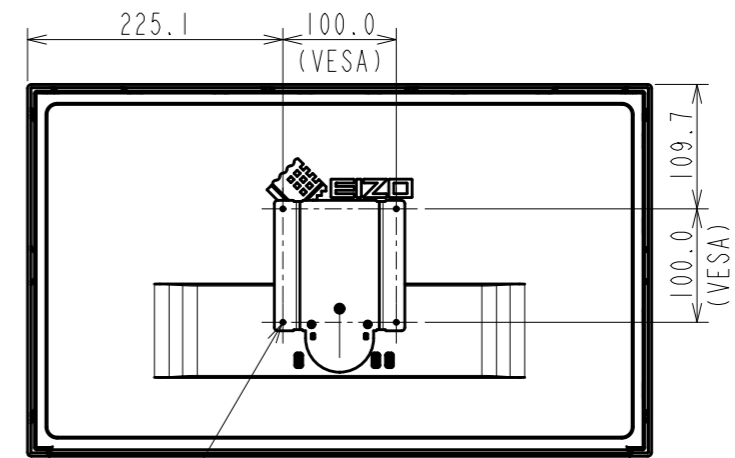
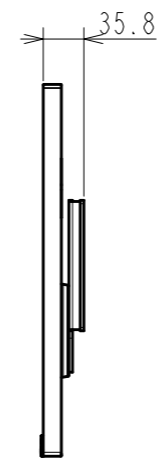
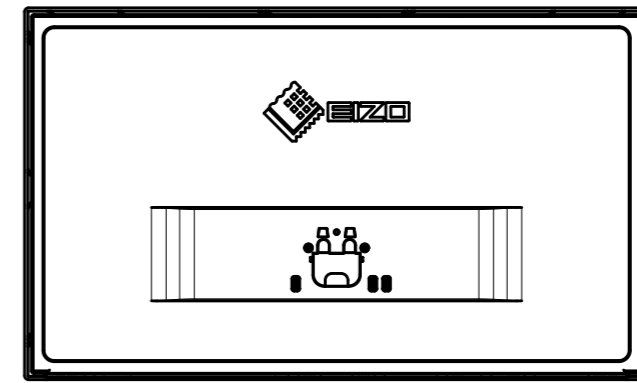
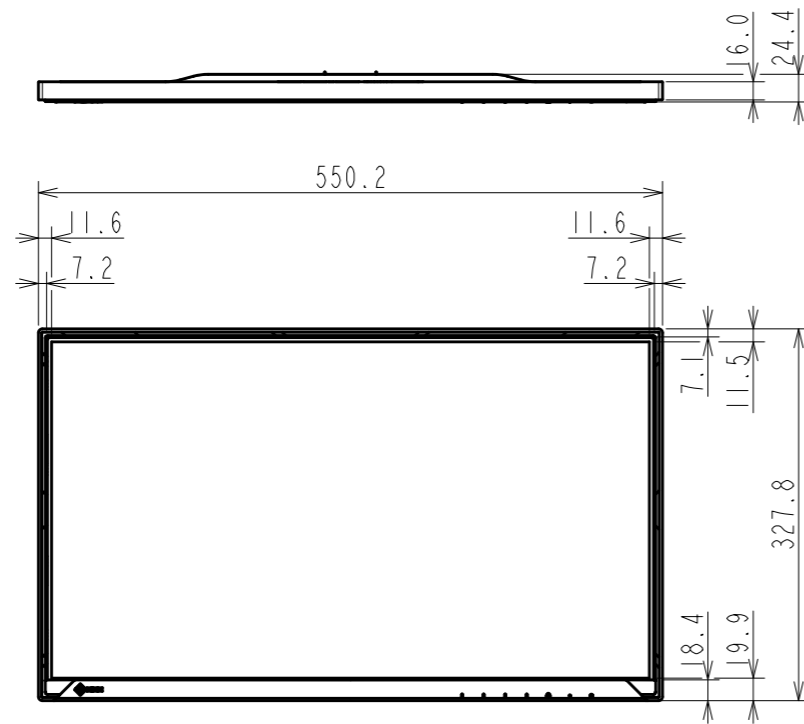


# OUTLINE DIMENSIONS

MODEL FLT

UNIT mm

**EIZO Corporation**



4xM4(Max Depth 14.8mm)