

User's Manual 取扱説明書

LS-H52-D

LS-H71-D

Height Adjustable Stand
ハイトアジャスタブルスタンド

Important

Please read this User's Manual carefully to familiarize yourself with safe and effective usage procedures. Please retain this manual for future reference.

重要

ご使用前には必ず取扱説明書をよくお読みになり、正しくお使いください。
この取扱説明書は大切に保管してください。

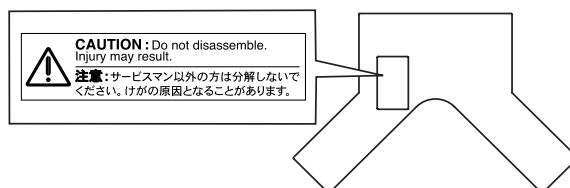


PRECAUTIONS

IMPORTANT!

- To ensure personal safety and proper maintenance, please read this section and the caution statements on the unit (refer to the figure below).

[Location of the Caution Statements]



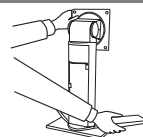
WARNING

Attach the applicable EIZO LCD monitor only.

Not doing so may cause the stand or monitor to drop, which may result in injury or equipment damage.

Handle with care when carrying the stand.

When handling the stand, grip the bottom with one hand and grip the joint with another hand. Not doing so may cause the equipment damage.



Attach the LCD monitor securely to the stand.

Install the monitor securely with using the enclosed screws in the stand package. Follow the instructions on the user's manual. Not doing so may cause the monitor to come unattached, which may result in injury or equipment damage.

Do not disassemble.

The spring mechanism inside of the stand may cause injury or equipment damage when disassembling.



Package Contents

Please contact your local dealer for assistance if any of the listed items are missing or damaged.

- Stand
- User's Manual
- Sheet (Compatible Screws List)
- Mounting Screws, 4 pcs each

(For the compatible screws and monitors, refer to the 'Compatible Screws List'.)

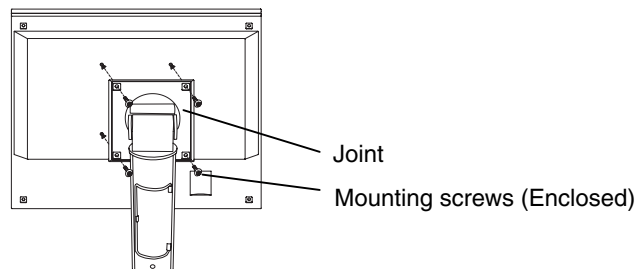
How to attach the monitor

1. Remove the original tilt stand.

Lay the LCD monitor down on the soft cloth or cushion and then remove the stand. (Refer to "Attaching An Arm Stand" section in the monitor's user's manual in details.) When reattaching the original tilt stand, please use the same screws and tighten them securely.

2. Attach the LCD monitor to the stand.

Place the joint to be straight with the monitor.

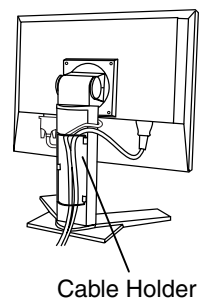


3. Plug the power cord and signal cable into the connectors at rear of monitor.

After plugging, lead the power cord and signal cable into the cable holder at rear of the monitors.

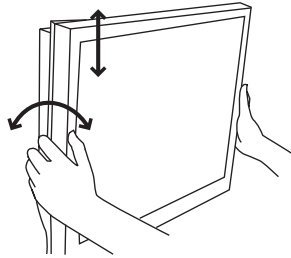
NOTE

- The cable holder enables to hold 2 signal cables by EIZO, a power cord and 5 USB cables.
- The cables are recommended to lead with slight sag for the smooth motion of the stand.



How to adjust the monitor height or angle

Grip both side of the monitor firmly with both hands and adjust the monitor height or angle as desired.



Specifications

LS-H52-D

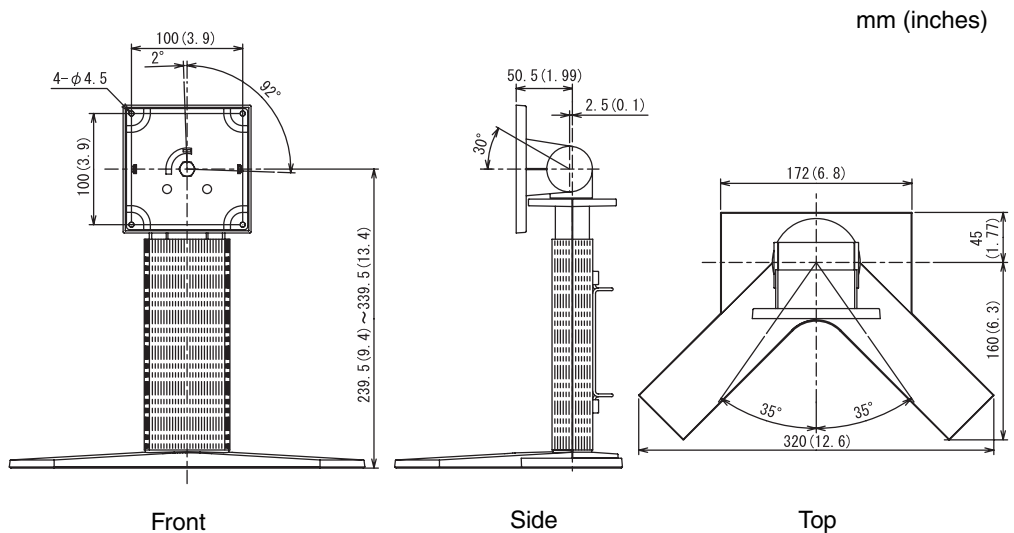
Height adjustable range	100 mm
Supported Weight*	3.5~4.5kg (7.7 ~ 9.9 lbs.)
Weight	Stand: 2.1 kg (4.6 lbs.)

LS-H71-D

Height adjustable range	100 mm
Supported Weight*	4.5~5.5kg (9.9 ~12.2 lbs.)
Weight	Stand: 2.1 kg (4.6 lbs.)

*Supported Weight: Total weight of the monitor including the weight of the cables and optional peripherals.

Dimensions



LIMITED WARRANTY

EIZO NANA CORPORATION (“EIZO”) and EIZO authorized distributors warrant, subject to and in accordance with the terms of this warranty, to the original purchaser who purchased the product from EIZO or EIZO authorized distributors that this product shall be free from defects in material and workmanship for a period of one (1) year from the date of purchase, and that, in the event of malfunction of the product during the warranty period attributable directly to defective material and/or workmanship, EIZO and EIZO authorized distributors will, at their sole discretion, either repair or replace the defective product. EIZO and EIZO authorized distributors shall bear no other liability or obligation under this warranty. EIZO and EIZO authorized distributors cease to bear any obligation under this warranty with regard to any parts of the product upon expiration of five (5) years after the production of such parts is discontinued. This warranty is valid only in the countries or territories where the EIZO authorized distributors are located. This Limited Warranty does not restrict legal rights as granted by implied warranty against the vendor.

Furthermore, EIZO and EIZO authorized distributors shall have no obligation under this warranty whatsoever in respect of any of such defects, or in any of such cases, as set forth below:

Any defect of the product caused by freight damage, modification, alteration, abuse, misuse, accident, incorrect installation, disaster, faulty maintenance and/or improper repair by third party other than EIZO and EIZO authorized distributors.

To obtain service under this warranty, the original purchaser must deliver the product, freight prepaid, in its original package or other adequate package affording an equal degree of protection, assuming the risk of damage and/or loss in transit, to the local EIZO authorized distributor. The original purchaser must present proof of purchase establishing the date of purchase of the product when requesting warranty service.

Warranty period for any replaced and/or repaired product under this warranty shall expire at the end of the original warranty period.

EIZO AND EIZO AUTHORIZED DISTRIBUTORS MAKE NO FURTHER WARRANTIES, EXPRESSED OR IMPLIED, WITH RESPECT TO THE PRODUCT AND ITS QUALITY, PERFORMANCE, MERCHANTABILITY OR FITNESS FOR ANY PARTICULAR USE. IN NO EVENT SHALL EIZO OR EIZO AUTHORIZED DISTRIBUTORS BE LIABLE FOR ANY INCIDENTAL, INDIRECT, SPECIAL, CONSEQUENTIAL OR OTHER DAMAGE WHATSOEVER (INCLUDING, WITHOUT LIMITATION, DAMAGES FOR LOSS OF PROFIT, BUSINESS INTERRUPTION, LOSS OF BUSINESS INFORMATION, OR ANY OTHER PECUNIARY LOSS) ARISING OUT OF THE USE OR INABILITY TO USE THE PRODUCT OR IN ANY CONNECTION WITH THE PRODUCT, WHETHER BASED ON CONTRACT, TORT, NEGLIGENCE, STRICT LIABILITY OR OTHERWISE, EVEN IF EIZO OR EIZO AUTHORIZED DISTRIBUTORS HAVE BEEN ADVISED OF THE POSSIBILITY OF SUCH DAMAGES. THIS EXCLUSION ALSO INCLUDES ANY LIABILITY WHICH MAY ARISE OUT OF THIRD PARTY CLAIMS AGAINST THE ORIGINAL PURCHASER. THE ESSENCE OF THE PROVISION IS TO LIMIT THE POTENTIAL LIABILITY OF EIZO AND EIZO AUTHORIZED DISTRIBUTORS ARISING OUT OF THIS LIMITED WARRANTY AND/OR SALES.

MEMO